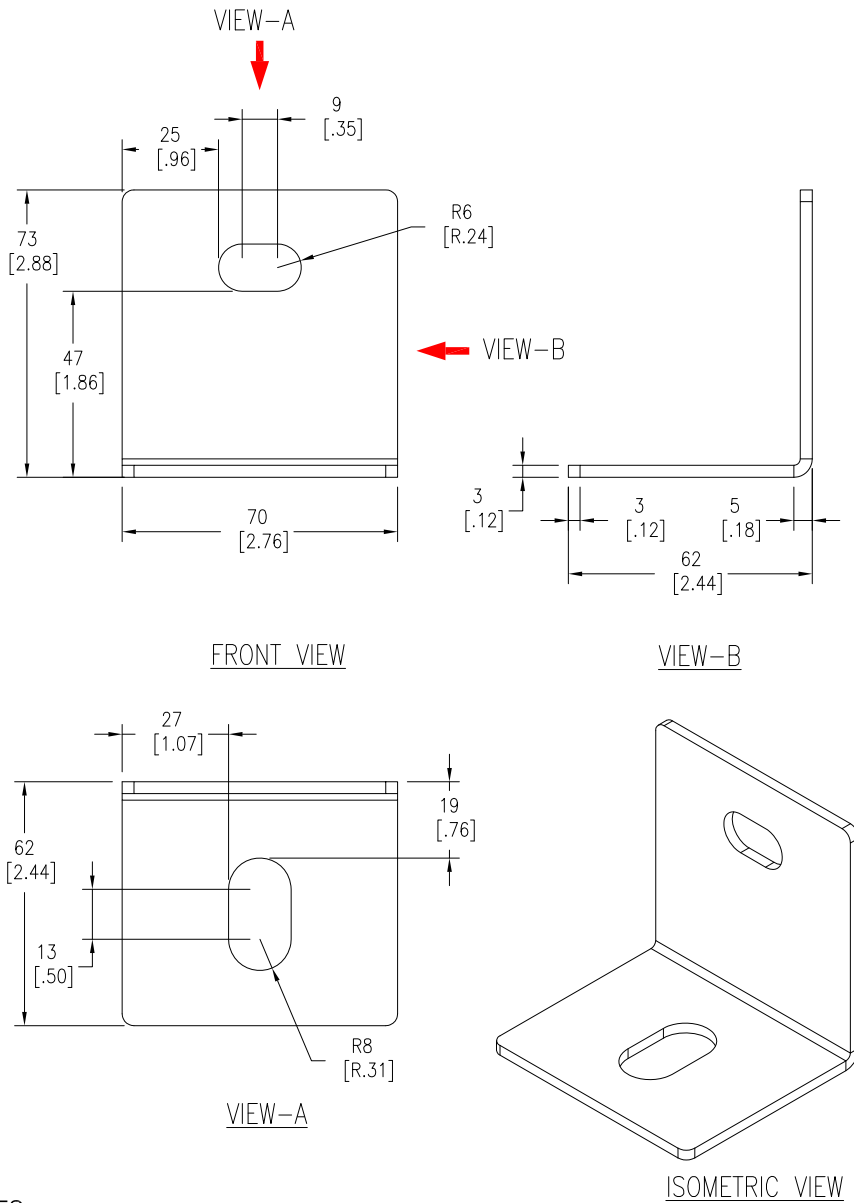


SKU DETAILS (Qty-4)



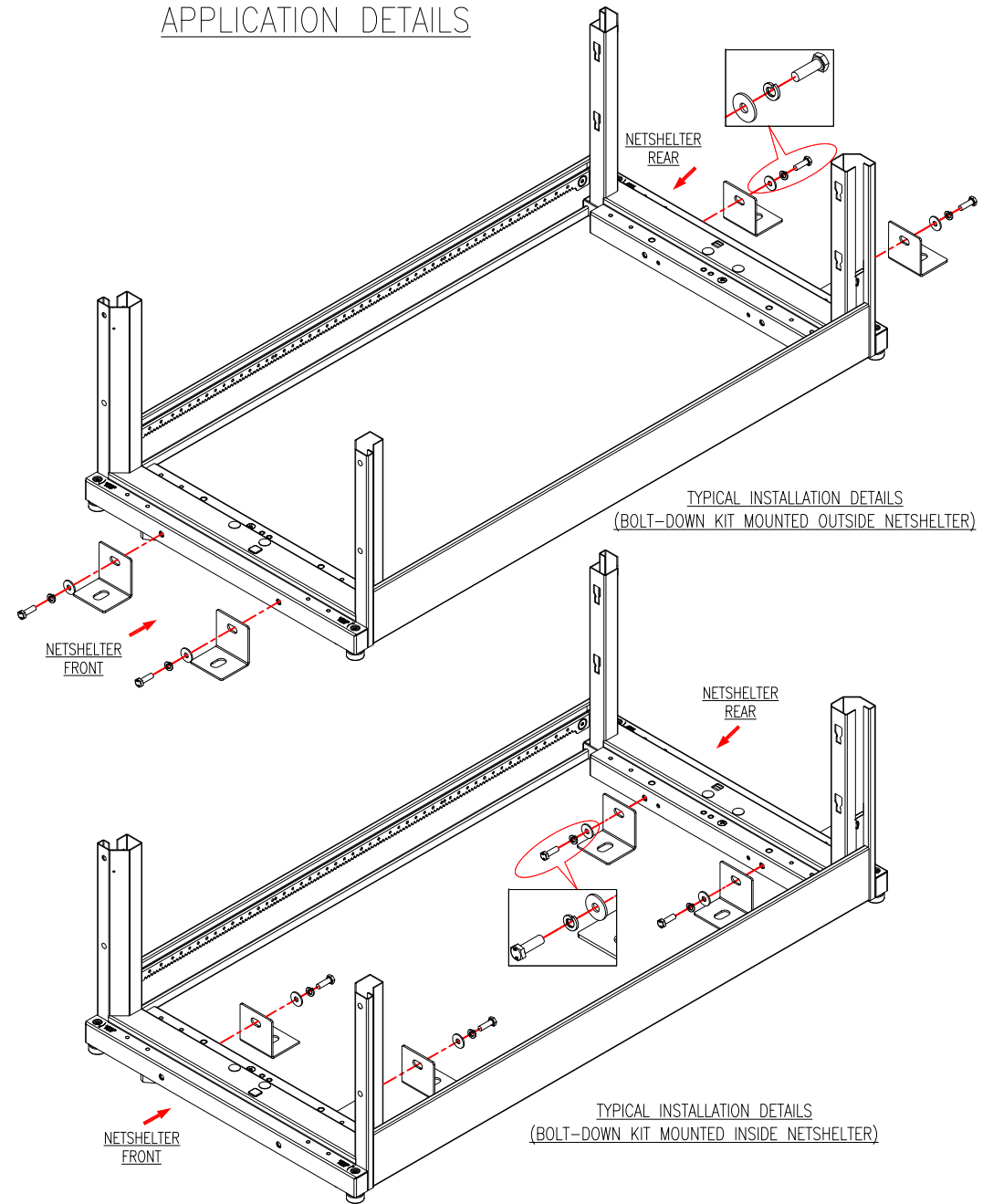
NOTES:

1. INSTALLATION SHALL COMPLY WITH ALL APPLICABLE NATIONAL AND LOCAL CODES.
2. SEE PRODUCT DOCUMENTATION FOR FURTHER INFORMATION.
3. UNLESS OTHERWISE SPECIFIED, ALL DIMENSIONS ARE IN MILLIMETERS [INCHES].
4. EACH SKU OF AR7701 INCLUDES 4-BRACKETS, 4-M8 SPLIT WASHERS, 4-M8 FLAT WASHERS AND 4-M8 BOLTS.
5. WEIGHT OF ONE BOLT-DOWN KIT IS 0.68 kg [1.5 LBS].

THIS DRAWING AND SPECIFICATIONS HEREIN ARE THE PROPERTY OF SCHNEIDER ELECTRIC AND SHALL NOT BE COPIED, REPRODUCED OR USED IN WHOLE OR IN PART, AS THE BASIS FOR THE MANUFACTURE OR SALE OF ITEMS WITHOUT WRITTEN PERMISSION FROM SCHNEIDER ELECTRIC. THIS DRAWING IS BASED UPON LATEST AVAILABLE INFORMATION AND IS SUBJECT TO CHANGE WITHOUT NOTICE.



APPLICATION DETAILS



TITLE: NETSHELTER SX BOLT-DOWN KIT MAIN MECHANICAL	
PROJECT: STD SUBMITTAL DRAWINGS	SHEET 1 OF 1

DWG NO: AR7701	REV 1
DRAWN BY: BALAMURUGAN	06-AUG-08
ENGINEER: M UHRHAN/B OLIVER	06-AUG-08
APPROVED BY: SØBERGAARD/SILVAC/LARSEN/S WASH	06-AUG-08

FIRST ANGLE PROJ
