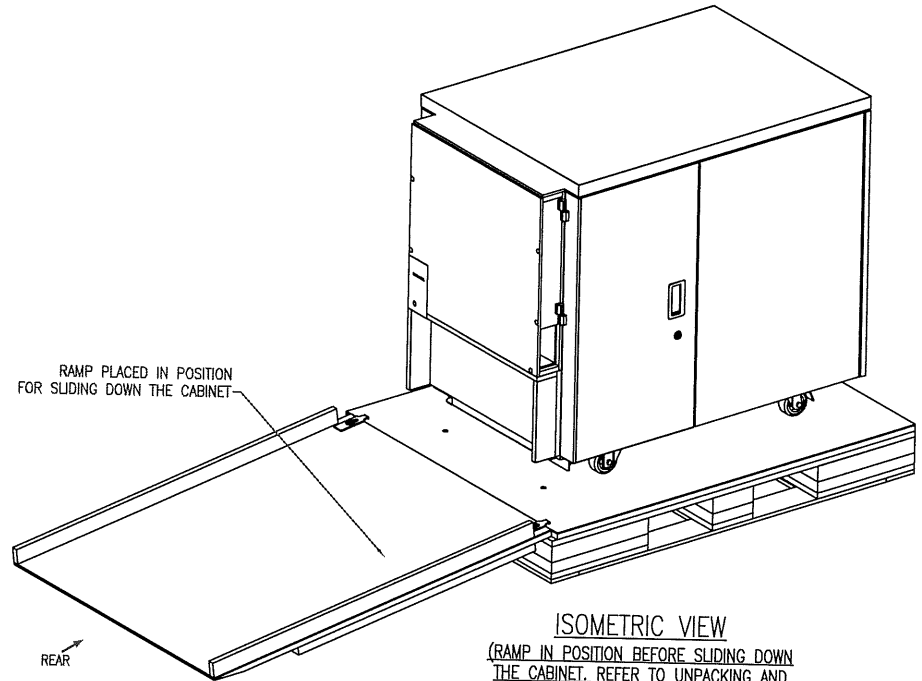
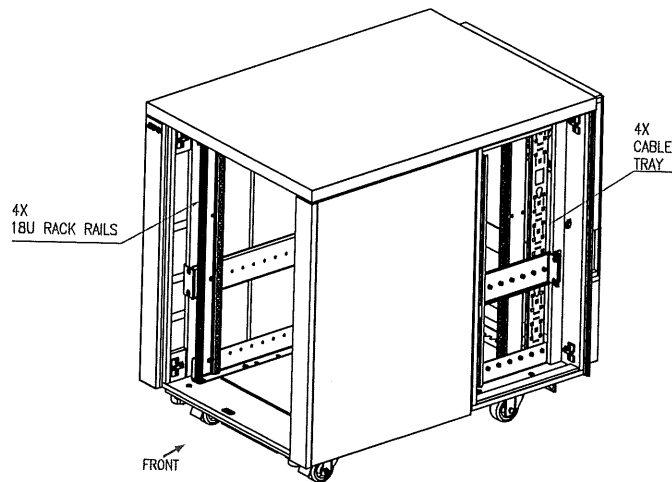


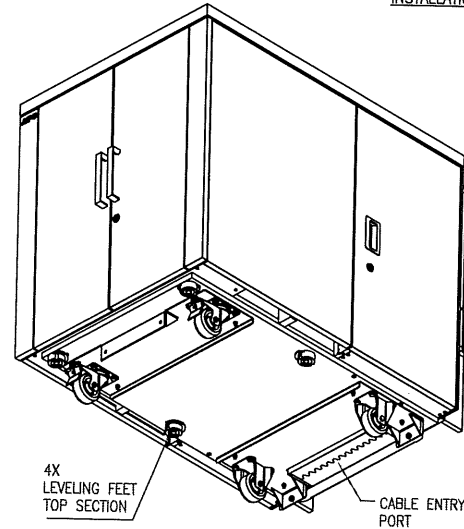
ISOMETRIC VIEW
(ENCLOSURE AS SHIPPED
ON SHOCK PALLET)



ISOMETRIC VIEW
(RAMP IN POSITION BEFORE SLIDING DOWN
THE CABINET. REFER TO UNPACKING AND
INSTALLATION SHEET FOR MORE DETAILS)



ISOMETRIC VIEW
(FRONT DOORS & SIDE PANELS REMOVED)
FRONT DOORS AND SIDE PANELS ARE DETACHABLE



ISOMETRIC BOTTOM VIEW
(LEVELING FEET ARE INCLUDED IN THE ENCLOSURE
AND CAN BE ATTACHED AS SHOWN IN SHEET 5)

NOTES:

1. COMPLY WITH ALL APPLICABLE NATIONAL, STATE AND LOCAL ELECTRICAL REGULATIONS.
2. REFER TO THE PRODUCT DOCUMENTATION FOR ADDITIONAL DETAILS ON UNPACKING PRIOR TO INSTALLATION AND SITE PREPARATION WORK.

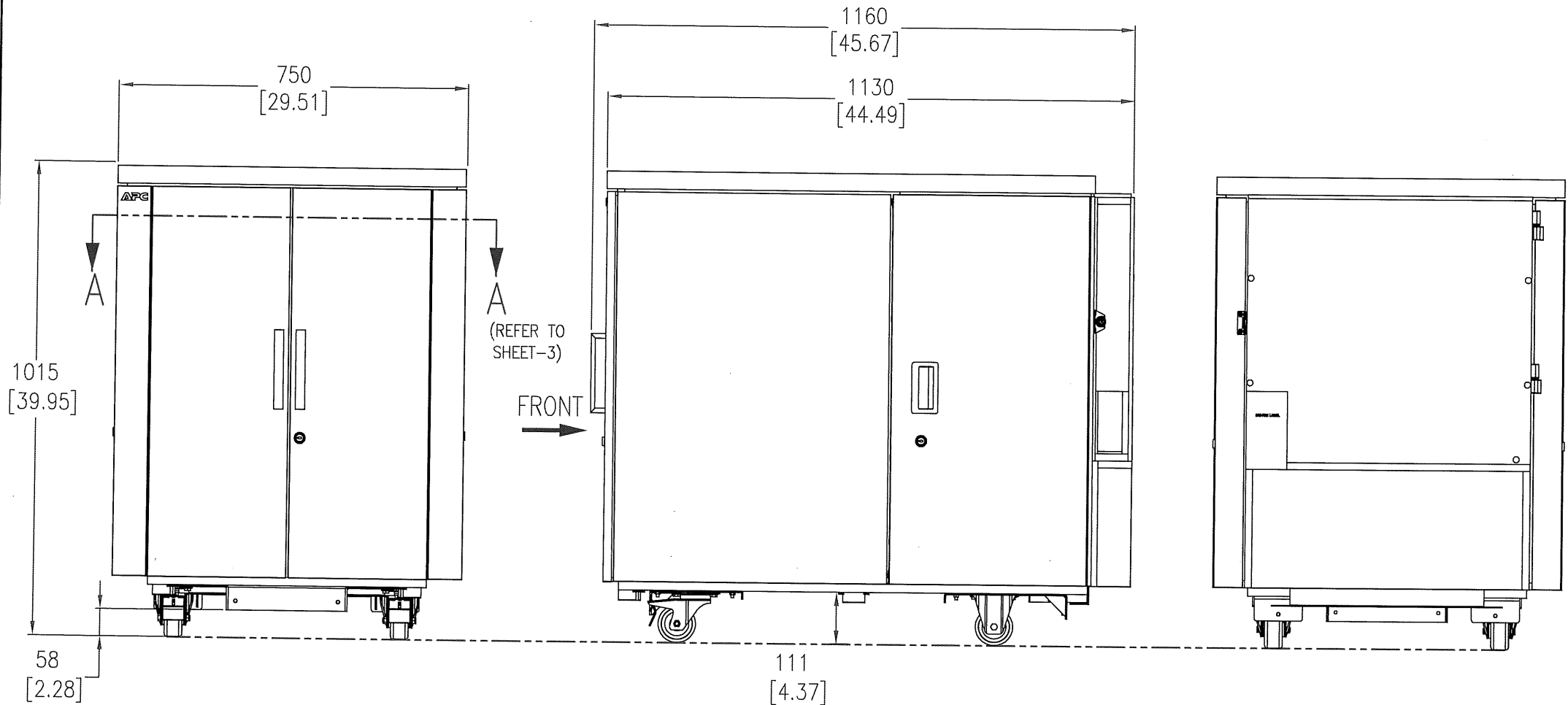
THIS DRAWING AND SPECIFICATIONS HEREIN ARE THE PROPERTY OF SCHNEIDER ELECTRIC AND SHALL NOT BE COPIED, REPRODUCED OR USED IN WHOLE OR IN PART, AS THE BASIS FOR THE MANUFACTURE OR SALE OF ITEMS WITHOUT WRITTEN PERMISSION FROM SCHNEIDER ELECTRIC. THIS DRAWING IS BASED UPON LATEST AVAILABLE INFORMATION AND IS SUBJECT TO CHANGE WITHOUT NOTICE.



TITLE: NetShelter CX Shock Pallet Enclosure, 18U
750mm WIDE x 1130mm DEEP
ISOMETRIC VIEWS

PROJECT: SUBMITTAL DRAWINGS SHEET 1 OF 5

DWG NO:	AR4018SP		REV. 1
DRAWN BY:	A DAVE	31-OCT-17	THIRD ANGLE PROJECTION
ENGINEER:	A DAVE	31-OCT-17	
APPROVED BY:	S. FITTON	31-OCT-17	



FRONT VIEW

RIGHT SIDE VIEW

REAR VIEW

NOTES:

1. COMPLY WITH ALL APPLICABLE NATIONAL, STATE AND LOCAL ELECTRICAL REGULATIONS.
2. REFER TO THE PRODUCT DOCUMENTATION FOR ADDITIONAL DETAILS PRIOR TO INSTALLATION AND SITE PREPARATION WORK.
3. ALL DIMENSIONS ARE IN MILLIMETERS [INCHES].
4. SHIPPING WEIGHT OF ENCLOSURE IS 317.00 Kg [700 lbs].
5. CABLE ENTRY IS AT BOTTOM OF ENCLOSURE.
6. FRONT AND REAR ACCESS AVAILABLE.
7. ENCLOSURE WHEN SHIPPED DOES NOT HAVE PLINTH AND LEVELING FEET ATTACHED BUT ARE INCLUDED INSIDE THE ENCLOSURE. SEE SHEET 4 FOR DETAILS.

THIS DRAWING AND SPECIFICATIONS HEREIN ARE THE PROPERTY OF SCHNEIDER ELECTRIC AND SHALL NOT BE COPIED, REPRODUCED OR USED IN WHOLE OR IN PART, AS THE BASIS FOR THE MANUFACTURE OR SALE OF ITEMS WITHOUT WRITTEN PERMISSION FROM SCHNEIDER ELECTRIC. THIS DRAWING IS BASED UPON LATEST AVAILABLE INFORMATION AND IS SUBJECT TO CHANGE WITHOUT NOTICE.

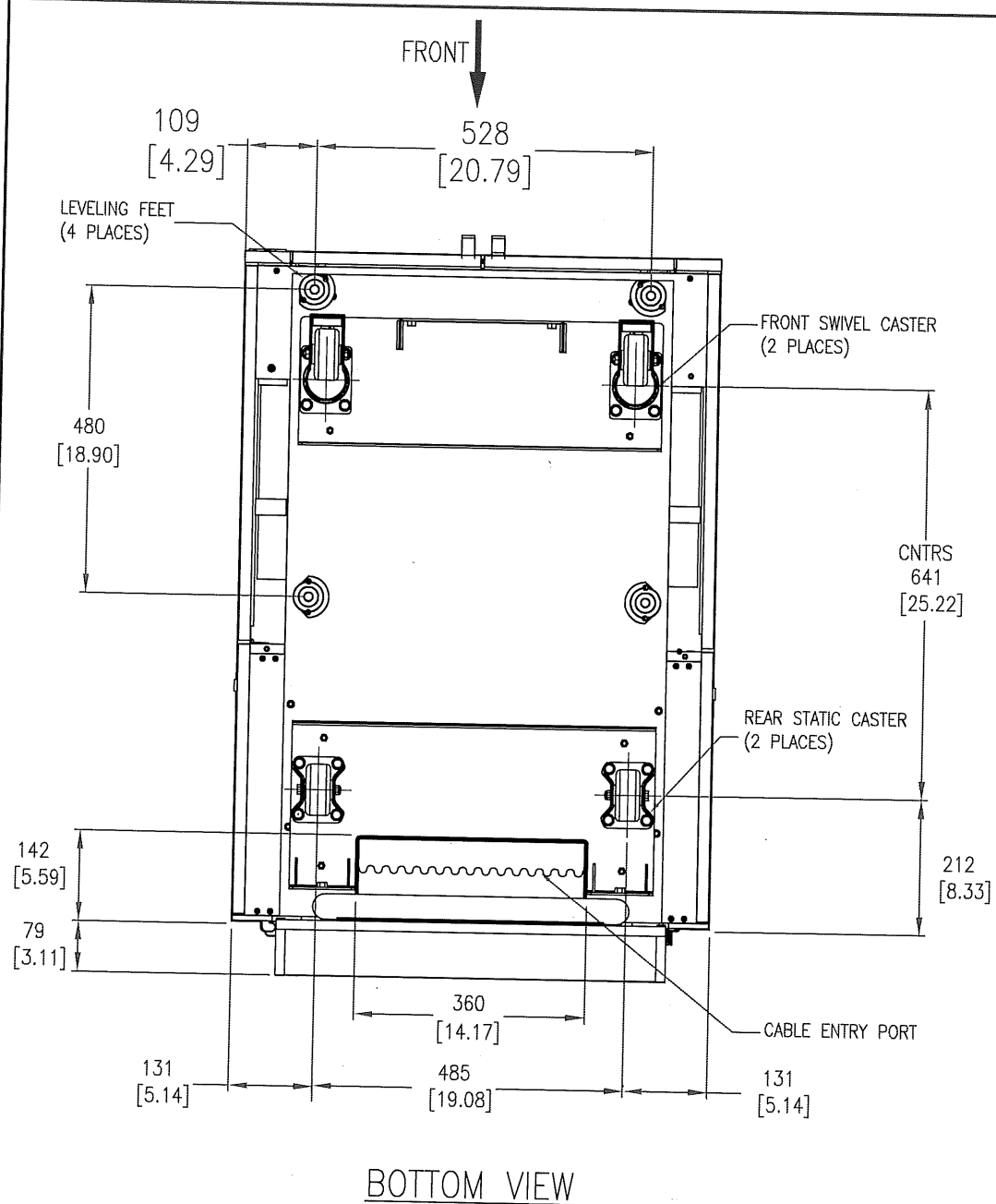
**Schneider
Electric**

TITLE:
NetShelter CX Shock Pallet Enclosure,
18U
750mm WIDEx1130mm DEEP
MAIN MECHANICAL

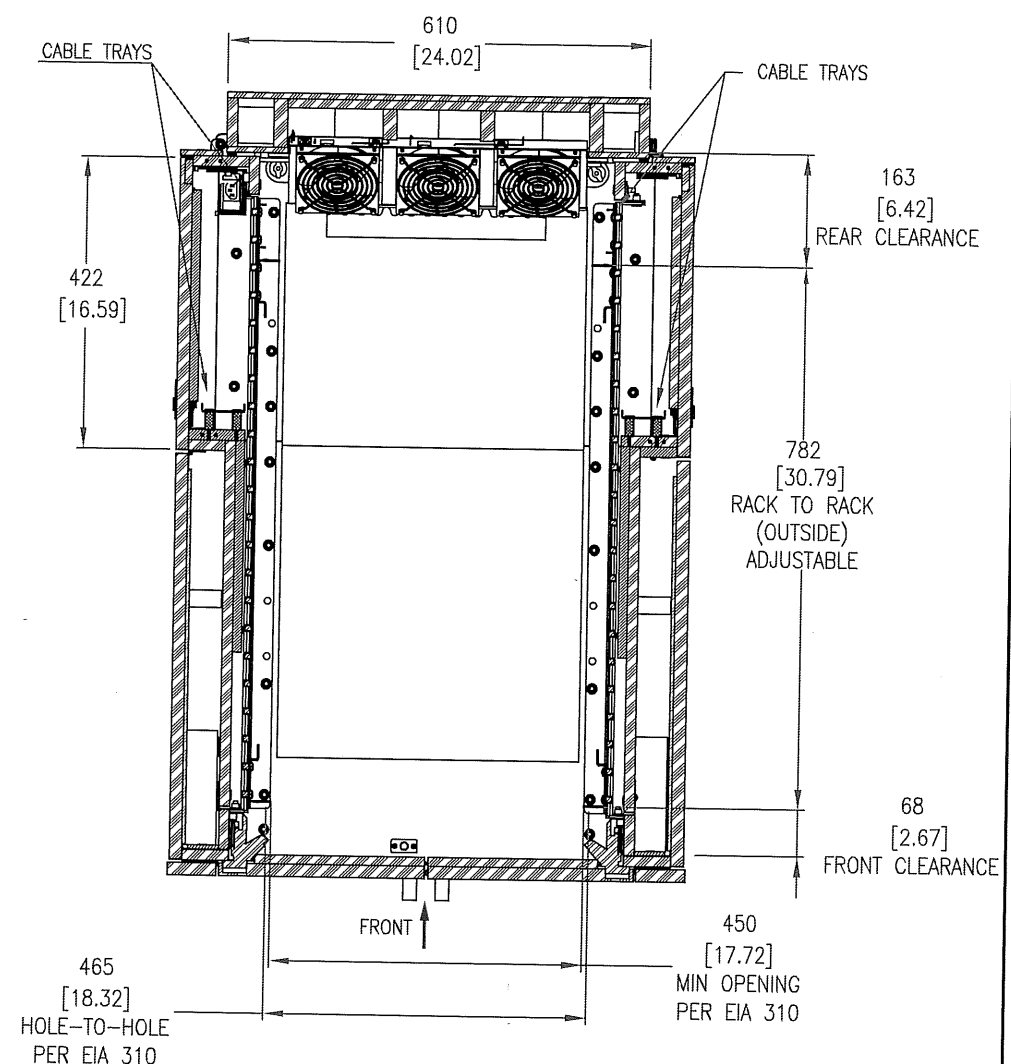
DWG NO:	AR4018SP	REV. 1
DRAWN BY:	A.DAVE	31-OCT-17
ENGINEER:	A.DAVE	31-OCT-17
APPROVED BY:	S.FITTON	31-OCT-17

PROJECT: SUBMITTAL DRAWINGS SHEET 2 OF 5

THIRD
ANGLE
PROJECTION



BOTTOM VIEW



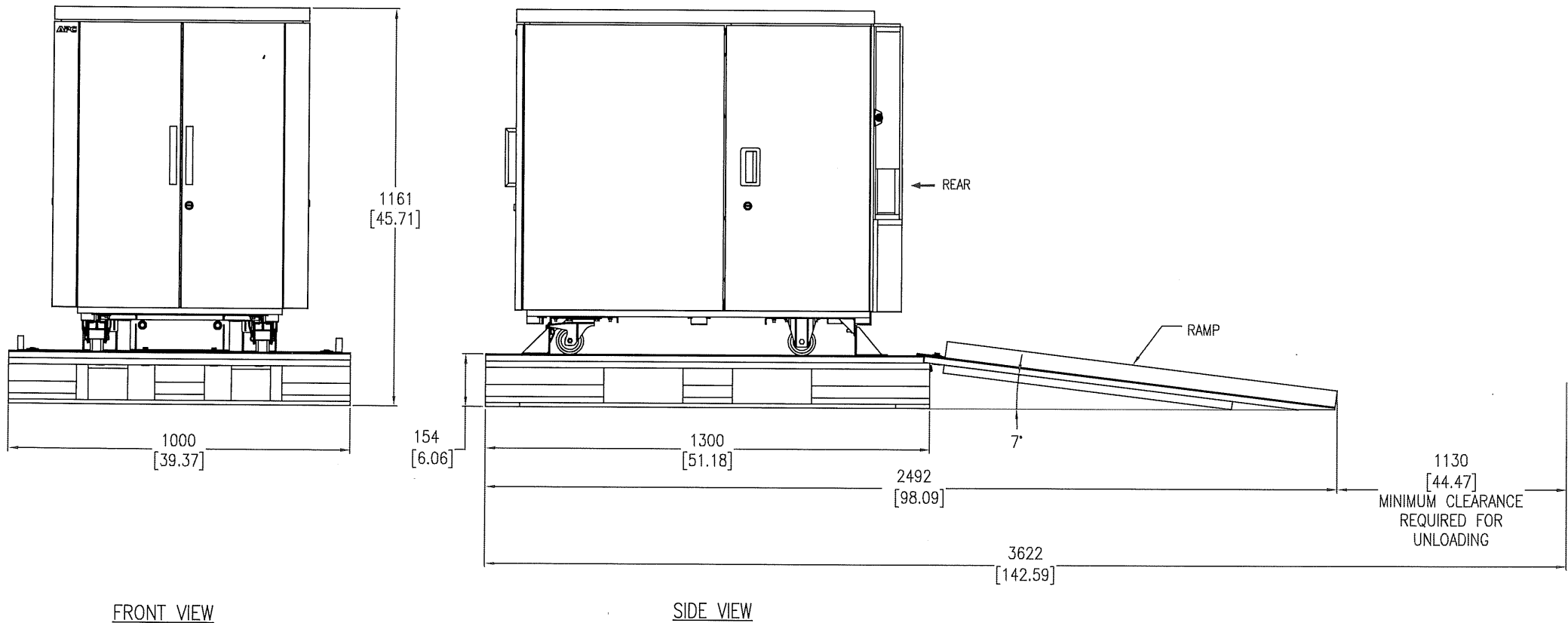
SECTION A-A
(VIEW FROM INSIDE ENCLOSURE
LOOKING DOWN)

- NOTES:**
1. COMPLY WITH ALL APPLICABLE NATIONAL, STATE AND LOCAL ELECTRICAL REGULATIONS.
 2. REFER TO THE PRODUCT DOCUMENTATION FOR ADDITIONAL DETAILS PRIOR TO INSTALLATION AND SITE PREPARATION WORK.
 3. ALL DIMENSIONS ARE IN MILLIMETERS [INCHES].

THIS DRAWING AND SPECIFICATIONS HEREIN ARE THE PROPERTY OF SCHNEIDER ELECTRIC AND SHALL NOT BE COPIED, REPRODUCED OR USED IN WHOLE OR IN PART, AS THE BASIS FOR THE MANUFACTURE OR SALE OF ITEMS WITHOUT WRITTEN PERMISSION FROM SCHNEIDER ELECTRIC. THIS DRAWING IS BASED UPON LATEST AVAILABLE INFORMATION AND IS SUBJECT TO CHANGE WITHOUT NOTICE.



TITLE: NetShelter CX Shock Pallet Enclosure 18U		DWG NO:	AR4018ASP	REV. 1
750mm WIDEx1130mm DEEP BOTTOM AND SECTION VIEWS		DRAWN BY:	A.DAVE	31-OCT-17
PROJECT: SUBMITTAL DRAWINGS SHEET 3 OF 5		ENGINEER:	A.DAVE	31-OCT-17
		APPROVED BY:	S.FITTON	31-OCT-17
				THIRD ANGLE PROJECTION



NOTES:

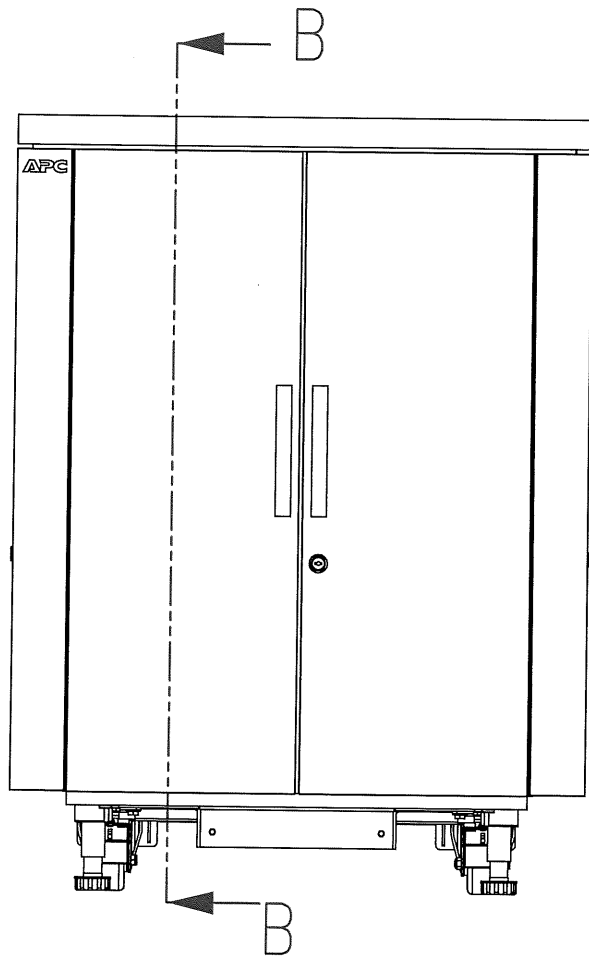
1. COMPLY WITH ALL APPLICABLE NATIONAL, STATE AND LOCAL ELECTRICAL REGULATIONS.
2. REFER TO THE PRODUCT DOCUMENTATION FOR ADDITIONAL DETAILS PRIOR TO INSTALLATION AND SITE PREPARATION WORK.
3. ALL DIMENSIONS ARE IN MILLIMETERS [INCHES].

THIS DRAWING AND SPECIFICATIONS HEREIN ARE THE PROPERTY OF SCHNEIDER ELECTRIC AND SHALL NOT BE COPIED, REPRODUCED OR USED IN WHOLE OR IN PART, AS THE BASIS FOR THE MANUFACTURE OR SALE OF ITEMS WITHOUT WRITTEN PERMISSION FROM SCHNEIDER ELECTRIC. THIS DRAWING IS BASED UPON LATEST AVAILABLE INFORMATION AND IS SUBJECT TO CHANGE WITHOUT NOTICE.

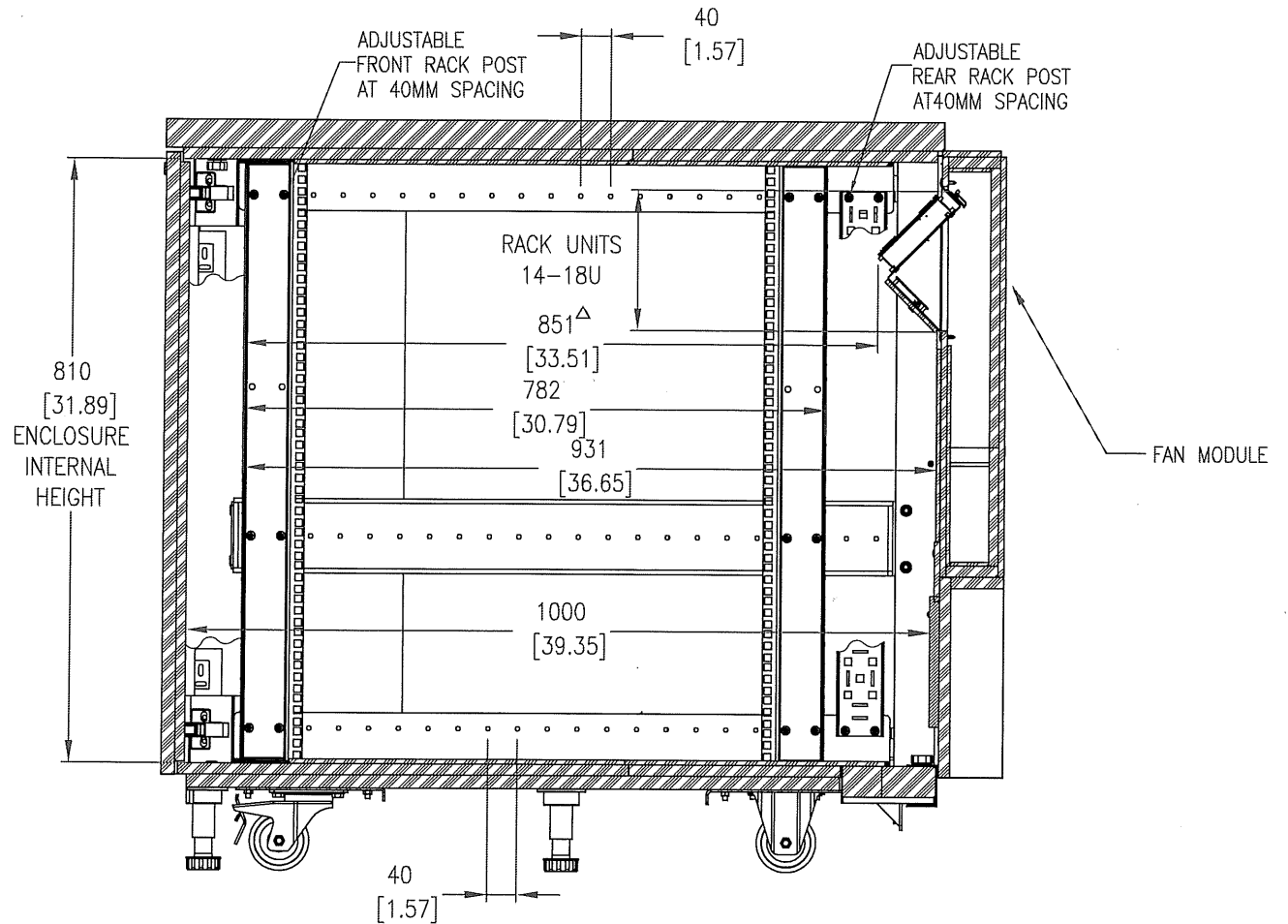


TITLE: NetShelter GX Enclosure,
18U
750mm WIDE x 1130mm DEEP
WITH UNLOADING DETAILS

DWG NO:	AR4018SP		REV.	1
DRAWN BY:	A.DAVE	31-OCT-17	THIRD	
ENGINEER:	A.DAVE	31-OCT-17	ANGLE	
APPROVED BY:	S.FITTON	31-OCT-17	PROJECTION	



FRONT VIEW



SECTION C-C

△ — DUE TO TRIANGULAR PROTRUSION OF FAN MODULES, INTERNAL CABINET DEPTH REDUCED TO 851mm BETWEEN SPECIFIED RACK UNITS.

NOTES:

1. COMPLY WITH ALL APPLICABLE NATIONAL, STATE AND LOCAL ELECTRICAL REGULATIONS.
2. REFER TO THE PRODUCT DOCUMENTATION FOR ADDITIONAL DETAILS PRIOR TO INSTALLATION AND SITE PREPARATION WORK.
3. ALL DIMENSIONS ARE IN MILLIMETERS [INCHES].

THIS DRAWING AND SPECIFICATIONS HEREIN ARE THE PROPERTY OF SCHNEIDER ELECTRIC AND SHALL NOT BE COPIED, REPRODUCED OR USED IN WHOLE OR IN PART, AS THE BASIS FOR THE MANUFACTURE OR SALE OF ITEMS WITHOUT WRITTEN PERMISSION FROM SCHNEIDER ELECTRIC. THIS DRAWING IS BASED UPON LATEST AVAILABLE INFORMATION AND IS SUBJECT TO CHANGE WITHOUT NOTICE.



TITLE: NetShelter CX Shock Pallet Enclosure 18U
750mm WIDEx1130mm DEEP
INTERNAL VIEWS

DWG NO:	AR4018SP		REV.	1
DRAWN BY:	A.DAVE	31-OCT-17	THIRD	
ENGINEER:	A.DAVE	31-OCT-17	ANGLE	
APPROVED BY:	S.FITTON	31-OCT-17	PROJECTION	

SHT	DRAWING NUMBER	REVISION									REVISION DESCRIPTION	REVISION INITIATED BY (ECO/ENGR)	REVISION APPROVED BY
		1	2	3	4	5	6	7	8	9			
1	AR4018SP	X									INITIAL ISSUE	AD	SF
2	AR4018SP	X									INITIAL ISSUE	AD	SF
3	AR4018SP	X									INITIAL ISSUE	AD	SF
4	AR4018SP	X									INITIAL ISSUE	AD	SF
5	AR4018SP	X									INITIAL ISSUE	AD	SF

NOTE:
 △FOR PREVIOUS REVISIONS, CONTACT CAD TEAM.

FILE: AR4018SP_-_NetShelter_CXSP_18U	INITIALLY DRAWN BY: A.DAVE	FILE REV: 1
INITIAL RELEASE: 31-OCT-17	INITIALLY APPROVED BY: S.FITTON	DATE: 31-OCT-17

