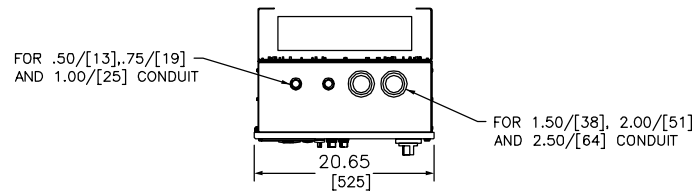
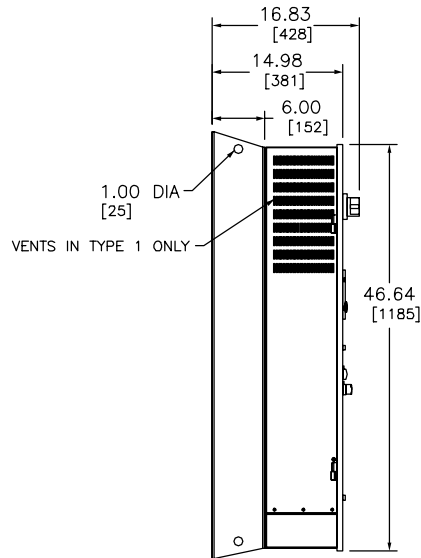


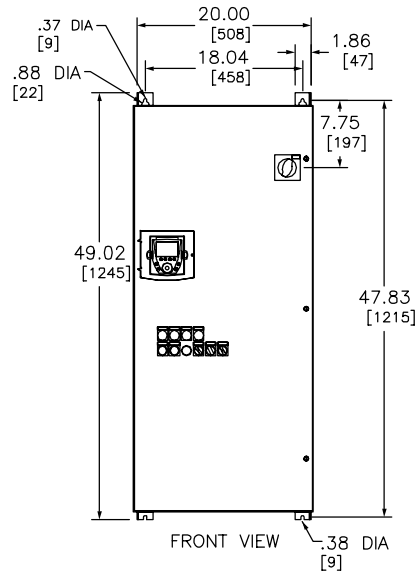
E-FLEX ENCLOSED AC DRIVE  
 CLASS 8839 TYPE EFD\_  
 460V 30-50 HP  
 208/230V 15-25 HP  
 TYPE 1 AND TYPE 12K (WALL MOUNT)



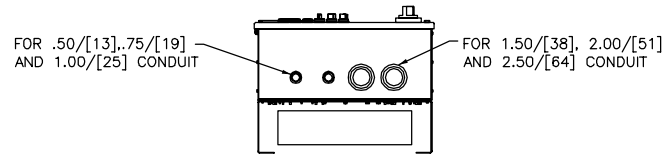
CONDUIT ENTRY - TOP VIEW



SIDE VIEW



FRONT VIEW



CONDUIT ENTRY - BOTTOM VIEW

DUAL DIMENSIONS: INCHES  
 MILLIMETERS

HP	HP	WEIGHT	
460V	208/230V	LB	KG
30 TO 50	15 TO 25	177	80.5

NOTE:  
 PROVIDE AT LEAST 3.00/[76] OF MOUNTING CLEARANCE ON EACH SIDE OF THE DRIVE CONTROLLER.  
 PROVIDE AT LEAST 6.00/[152] OF MOUNTING CLEARANCE ON EACH TOP AND BOTTOM OF THE DRIVE CONTROLLER.

E-FLEX ENCLOSED AC DRIVE  
 CLASS 8839 TYPE EFD\_  
 460V 30-50 HP  
 208/230V 15-25 HP  
 TYPE 1 AND TYPE 12K (WALL MOUNT)



DWG# 8839-251-A  
 NO.