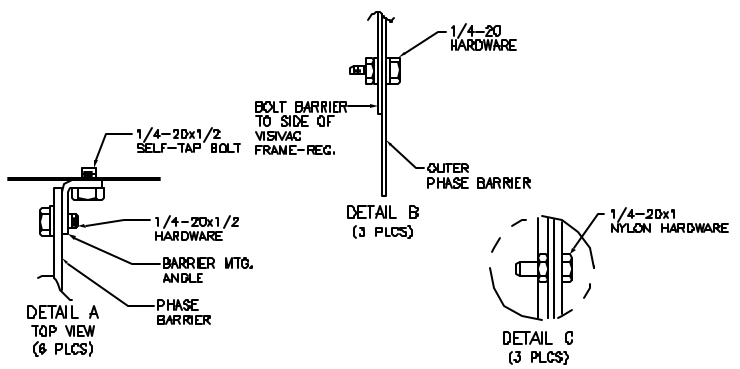
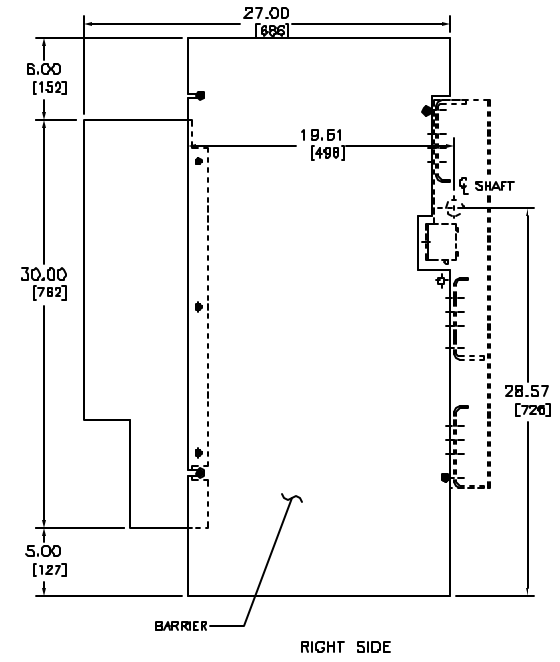


- BARRIER KIT INCLUDES:**
1. BARRIERS (4)
  2. AUX. BARRIER (1)
  3. THREADED ROD'S 28.75" LG. (2)
  4. TUBE SPACERS, LONG (2)
  5. TUBE SPACERS, SHORT (4)
  6. HARDWARE



OUTLINE  
BARRIER KIT  
UNFUSED  
OEM  
VISI/VAC "VC"



DWG# 48119-749  
NO.