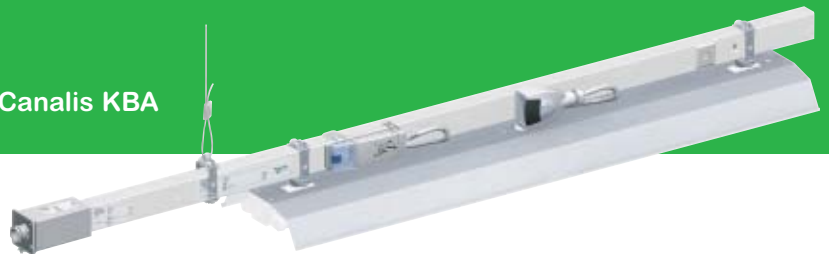


# Lighting management for an office space

KBA, rigid busbar trunking

Canalis KBA



## Customer needs

The manager of an office space needs to organize the lighting layout for this space.

He also wants to achieve energy savings by implementing automatic switch-on or switch-off of the lighting according to the presence of people and the luminosity level.

Automatic extinguishing of each office shall be performed after a time delay in the absence of people.

The installation must be easily modifiable during rearrangement of the offices.

## Users / customer benefits

- **fewer cables:** a single duct incorporates the power and the DALI communication buses for the master and slave Argus detectors and DALI ballast (option T of the KBA product ranges),
- communication between the master and slave Argus devices and override control push buttons uses the power supply conductor (power line carrier),
- the prefabricated lighting electricity distribution system allows flexibility of installation for arrangement or rearrangement of space, without altering the electrical structure.

## Proposed solution

### KBA, rigid busbar trunking

The system chosen is Canalis busbar trunking incorporating a DALI architecture without programming.

Automatic lighting is provided by master and slave DALI presence detectors, and adjustment of the constant luminosity level office by office is an integral function of the master Argus detectors.

These detectors are fastened directly to the busbar trunking or are simply connected to it according to the layout of the offices.

Information is transferred uniformly to all the ballasts connected to the master detector network.

Override control of the lighting is performed by push buttons connected to the (master) DALI detector.

Alteration of the installation will be easy thanks to the modularity and extreme ease of assembly and disassembly of the Canalis components.



Office space

## Preferred application

- small stores,
- superettes,
- etc.

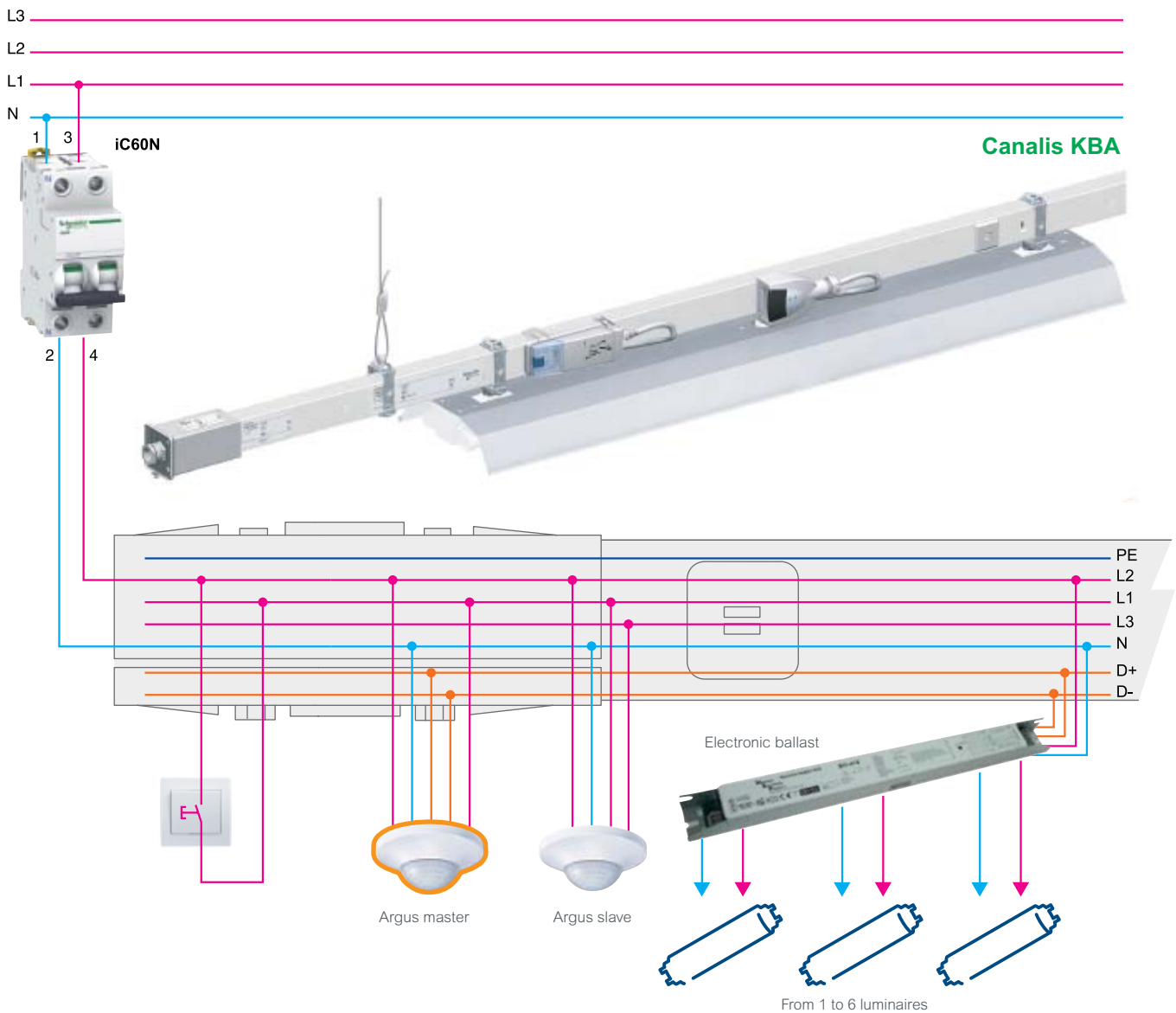
Pre-cabling + presence detection =  
lighting in the right place +  
appropriate lighting

## Specifications

Decentralized DALI lighting system without programming.

Simplification of office rearrangement.

## Solution diagram



## Products used

Product	Description	Unity	Cat. no.
Canalis KBA	40 A straight element (with communication bus)	-	KBA40ED4303TW
Canalis KBA	40 A power supply box	1	KBA40ABG4TW
Canalis KBA	Fasteners	-	KBA40ZFUW
Canalis busbar trunking	Tap-off connectors	1	KBC16DCB21+ KBC16ZT1
Canalis busbar trunking	Connectors for Argus master detector	1	KBC16DCB40+ KBC16ZT1
Canalis busbar trunking	Connectors for Argus slave detector	1	KBC10DCB40
IC60N	C16 A 1P+N circuit breaker	1	-

35, rue Joseph Monier - CS 30323  
F-92506 Rueil-Malmaison - FRANCE

Document Number CA9SS039E © 2016 Schneider Electric. All rights reserved.

Life Is On

**Schneider**  
Electric