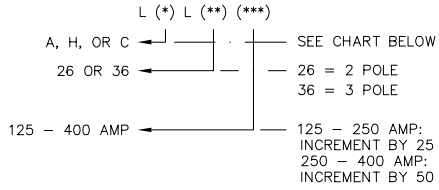


CATALOG NUMBERING



LAL (Standard Interrupting)

Ratings: 600VAC/250VDC, 125 - 400 AMPERE

LHL (High Interrupting)

Ratings: 600VAC/250VDC, 125 - 400 AMPERE

LCL (Extra High Interrupting)

Ratings: 600VAC, 300 - 400 AMPERE

LAL & LHL (125 - 400 AMP)

Wire Size: (1) #1 - 600 kcmil

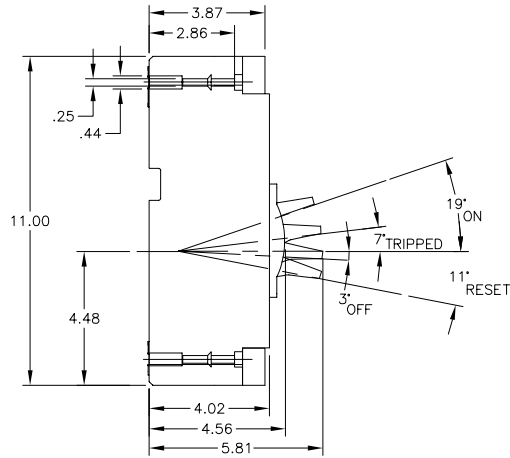
Terminal Torque: -

LCL (300 - 400 AMP)

Wire Size: (2) #4/0 - 500 kcmil

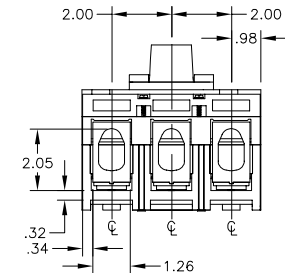
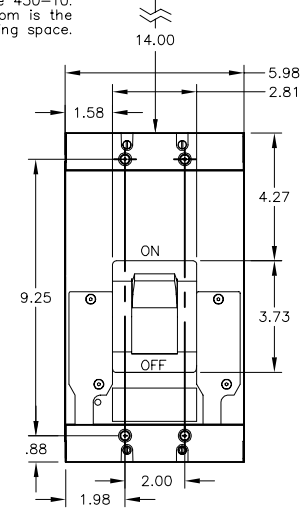
Terminal Torque: -

Catalog Number: SEE CHART
 Ratings: SEE CHART
 UL File/Guide: E10027
 CSA File/Guide: LR7551
 Meets Standards: IEC 157-1
 Weight: 8.50 lbs.
 Wire Size: SEE CHART
 Terminal torque: -
 Mounting Hwd.: 8-32 SCREWS



Electrical Clearance/Wire Bending Space

Wire bending space is based upon the maximum wire size of the terminal, and NEC article 430-10. Wire bending space for the bottom is the same as the top wire bending space.



"THE SQUARE D COMPANY HAS PROPRIETARY RIGHTS TO THE INFORMATION CONTAINED HEREON. THIS INFORMATION REMAINS THE PROPERTY OF SQUARE D COMPANY AND MAY BE USED ONLY IN CONFORMANCE WITH INSTRUCTIONS ISSUED BY SQUARE D COMPANY. USER SHOULD VERIFY DRAWINGS ARE TO THE LATEST/CURRENT REVISION PRIOR TO INCORPORATING IN A DESIGN FILE."

DO NOT SCALE DRAWING
 UNLESS OTHERWISE SPECIFIED DIMENSIONS ARE IN INCHES

THIRD ANGLE PROJECTION
 TOLERANCES UNLESS OTHERWISE SPECIFIED 2 PLACE DECIMALS ± .01

CIRCUIT BREAKERS (400A FRAME)
 (THERMAL MAGNETIC MOLDED CASE)
 SEE CHART

SQUARE D COMPANY

DWG# LA-LC-LH_3P_400A_OUTLINE_001
 NO.