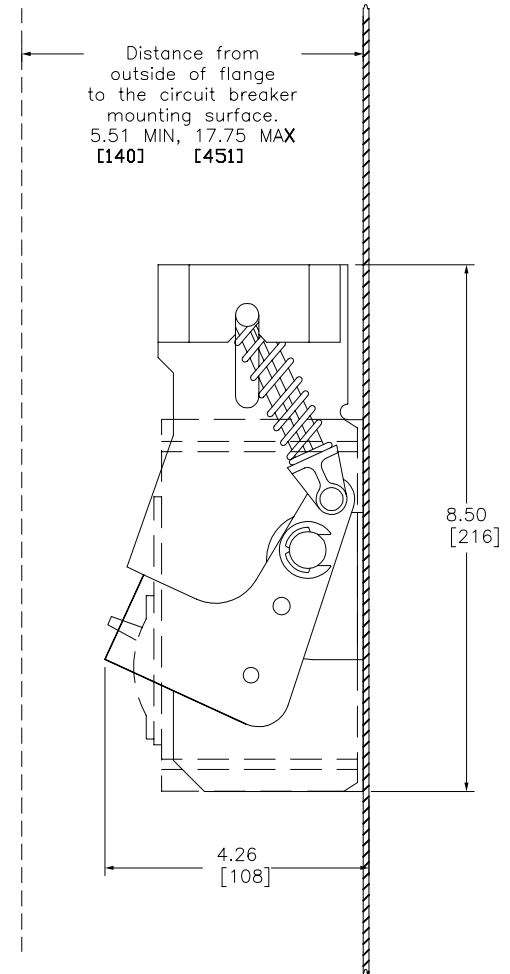
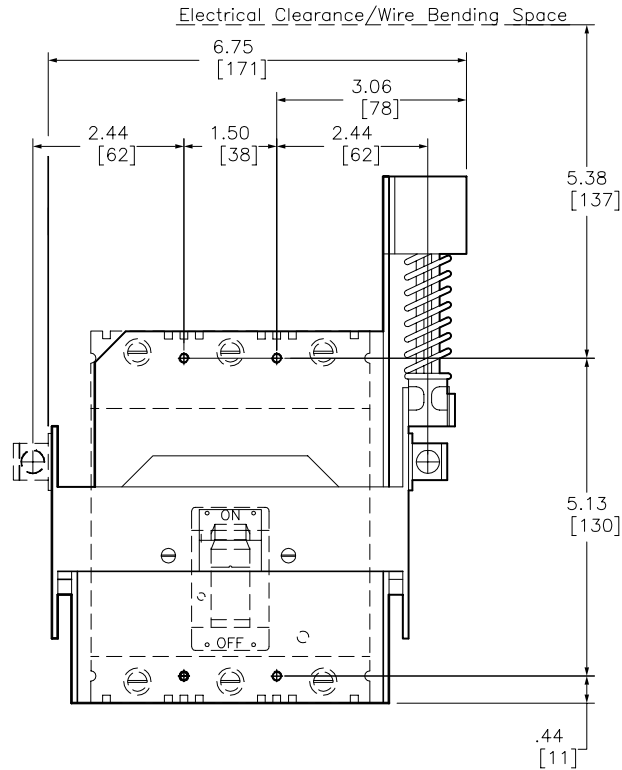


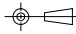
Minimum to wall or barrier to insure adequate wire bending space to lug surface when the maximum wire size is used with standard lugs. REF NEC 430-10



Catalog Number: **9422-RN1**
 Ratings: for use with Type FAL, & FHL CIRCUIT BREAKERS
 UL File/Guide: E62922
 CSA File/Guide: -
 Meets Standards: -
 Weight: 3.68 lbs
 Wire Size: -
 Terminal torque: -
 Mounting Hwd.: (4)-#8-32 screws

"THE SQUARE D COMPANY HAS PROPRIETARY RIGHTS TO THE INFORMATION CONTAINED HEREON. THIS INFORMATION REMAINS THE PROPERTY OF SQUARE D COMPANY AND MAY BE USED ONLY IN CONFORMANCE WITH INSTRUCTIONS ISSUED BY SQUARE D COMPANY. USER SHOULD VERIFY DRAWINGS ARE TO THE LATEST/CURRENT REVISION PRIOR TO INCORPORATING IN A DESIGN FILE."

DO NOT SCALE DRAWING
 UNLESS OTHERWISE SPECIFIED DIMENSIONS ARE IN INCHES

THIRD ANGLE PROJECTION 
 TOLERANCES
 UNLESS OTHERWISE SPECIFIED
 2 PLACE DECIMALS ± .01

OPERATING MECHANISM FOR USE WITH
 FAL & FHL CIRCUIT BREAKERS
 CLASS 9422 TYPE RN1

 **SQUARE D COMPANY**

DWG# 9422 RN_OUTLINE_001
 NO.