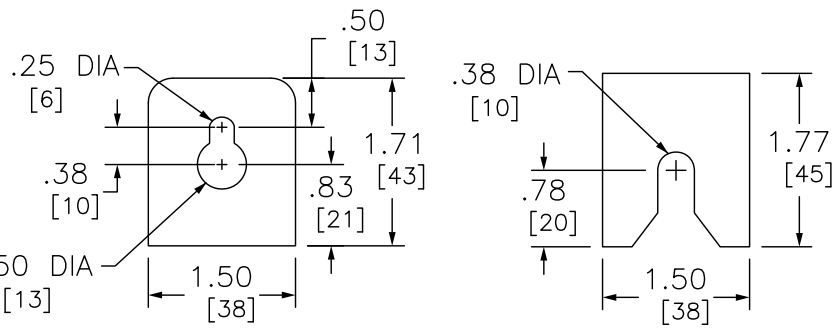
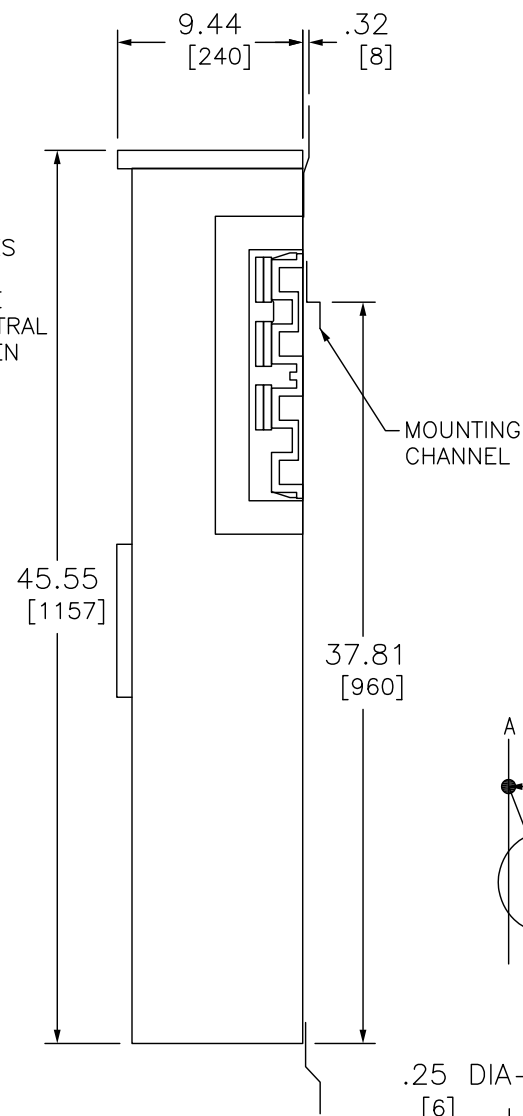
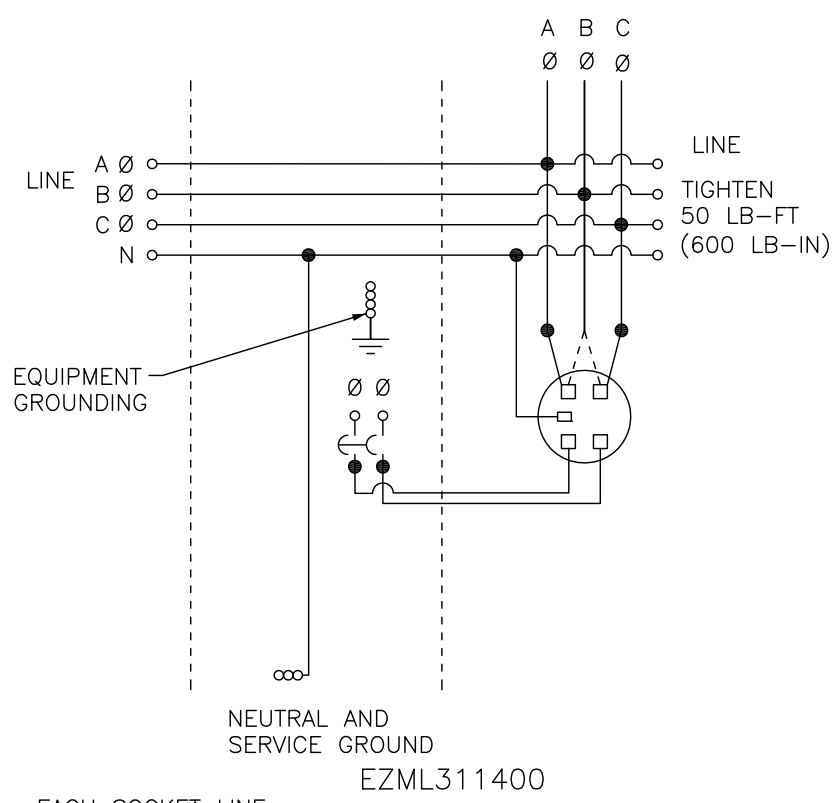


HORIZONTAL CROSS BUS SYSTEM INCLUDES EXCLUSIVE VISI-TITE JOINT-NUTS TO MAKE ALL PHASE AND NEUTRAL CONNECTIONS BETWEEN TWO EZM UNITS.

BRANCH UNIT SUPPLIED WITH ALL COPPER BUSSING.



TOP MOUNTING BRACKET BOTTOM MOUNTING BRACKET



EACH SOCKET LINE CONNECTOR MAY BE MOVED TO BALANCE LOADING. PHASE AC, BC, OR AB. THIS DEVICE LEAVES THE FACTORY PHASED AB AND BC. TOP TO BOTTOM.

** TYPE LJL CIRCUIT BREAKER AMPERE RATING ADJUSTABLE FROM 125A MIN. TO 400A MAX. AND IS FACTORY SET AT 400A SUPPLIED WITH 3-POLE TYPE LJL CIRCUIT BREAKER BUSSED TO OUTSIDE 2-POLES ONLY.

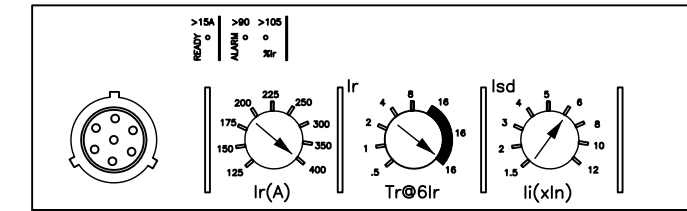
DUAL DIMENSIONS: INCHES MILLIMETERS

FACTORY INSTALLED TYPE LJL CIRCUIT BREAKER HAS AN ADJUSTABLE TRIP AMPERE RATING RANGING FROM 125A TO 400A PER TABLE BELOW. EXACT AMPERE RATING MAY NOT BE ATTAINABLE. EXAMPLES:
 225A (AVAILABLE SETTINGS 223A OR 228A)
 250A (AVAILABLE SETTINGS 246A OR 252A)
 300A (AVAILABLE SETTINGS 297A OR 304A)
 350A (AVAILABLE SETTINGS 340A OR 352A)

CIRCUIT BREAKER TYPE	STANDARD LUG WIRE RANGE (AWG-KCML)	OPTIONAL LUG WIRE RANGE (AWG-KCML)
LJL	(2) 2/0-500 CU-AL	#2-600 CU #2-500 AL

OPTIONAL LUG KIT CATALOG NUMBER: AL400L61K3 (KIT INCLUDES 3 LUGS) ORDER SEPARATELY.

LJL36400U31X



ADJUSTABLE SHORT TIME TRIP RANGE SETTING IS FACTORY SET AT Isd=6. WITH BREAKER AMPERE RATING SET FOR 400A, THE SHORT TIME TRIP RATING FOR THE BREAKER IS SET AT 2400 (6X400AMP=2400AMP).

OPTIONAL TAMPER EVIDENT SEALING KIT REF. 29375 IS AVAILABLE FOR INSTALLATION ON THE CLEAR DIAL COVER, KIT INCLUDES SCREW HEAD COVER, SEALING WIRE, LEAD CRIMP SEAL AND INSTALLATION INSTRUCTION.(REFER TO. NEC2002, ARTICLE 240-6C)

OPTIONAL ANTI-INVERSION CLIP KIT CATALOG NUMBER: MMLRK AVAILABLE FOR USE WITH LEVER TYPE BYPASS METER SOCKET ORDER SEPARATELY WHEN REQUIRED.

NOTES:
 100,00 RMS SYMMETRICAL AMPERS MAXIMUM SHORT CIRCUIT CURRENT RATING SUPPLIED WITH CLASS 320 METER SOCKET
 SUPPLIED WITH TIN PLATED ALL COPPER BUSSING
 FINISH - GRAY BAKED ENAMEL POWDER COAT PAINT OVER CLEANED GALVANNEALED STEEL.
 UL LISTED - FILE E-131840, VOL M
 SUITABLE FOR USE AS SERVICE EQUIPMENT
 MAIN HORIZONTAL CROSS BUS RATED AT 1200 AMPERES
 GANGABLE MULTI-METERING EQUIPMENT IS DESIGNED FOR WALL MOUNTING ONLY (NOT SUITABLE FOR FLOOR STANDING EQUIPMENT)
 UNMETERED COMPARTMENTS ARE SEALABLE BY UTILITY

SYSTEM TYPE (IN)	SERVICE PROVIDED (OUT)	CATALOG NUMBER	METER SOCKET TYPE	NUMBER OF POSITIONS	TENANT CIRCUIT BREAKER INCLUDED (FACTORY INSTALLED)	NEUTRAL AND SERVICE GROUND WIRE RANGE	EQUIPMENT GROUND LUG WIRE RANGE
3PH 4W 208Y/120 VAC	1PH 3W 120/208 VAC	EZML311400 ▲	5-JAW RINGLESS TYPE WITH LEVER BYPASS AND JAW RELEASE	1	LJL ** (125A TO 400A) 2 POLE	#1/0-600 KCML CU/AL (2) #1/0-250 CU/AL	#4-300 CU/AL

▲ FOR 240/120 VAC, 3-PHASE, 4-WIRE DELTA SYSTEM ADD SUFFIX "CA" TO CATALOG NUMBER (EXAMPLE: EZML311400CA).

EZ METER-PAK GANGABLE MULTI-METERING EQUIPMENT
 400A MAX 3PH 4W METER SOCKET/CIRCUIT BREAKER
 1-GANG BRANCH UNITS
 RAINPROOF NEMA TYPE 3R ENCLOSURES

SQUARE D
by Schneider Electric

DWG# 3343
NO.