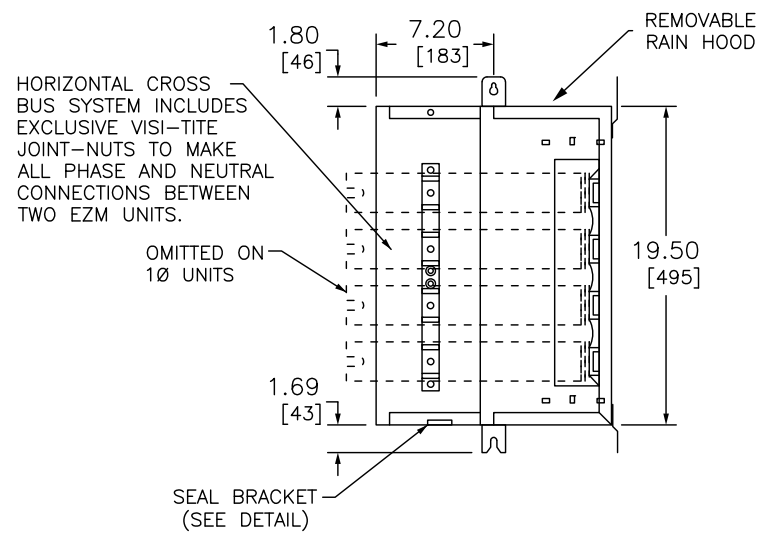
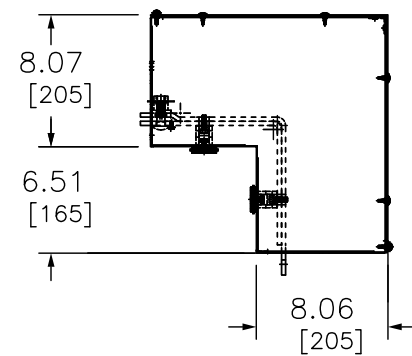
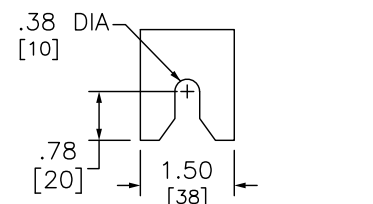


TOP MOUNTING BRACKET

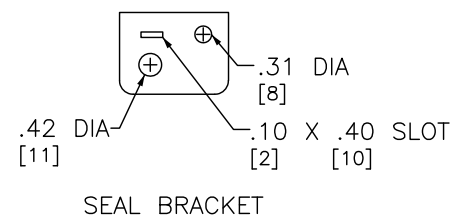
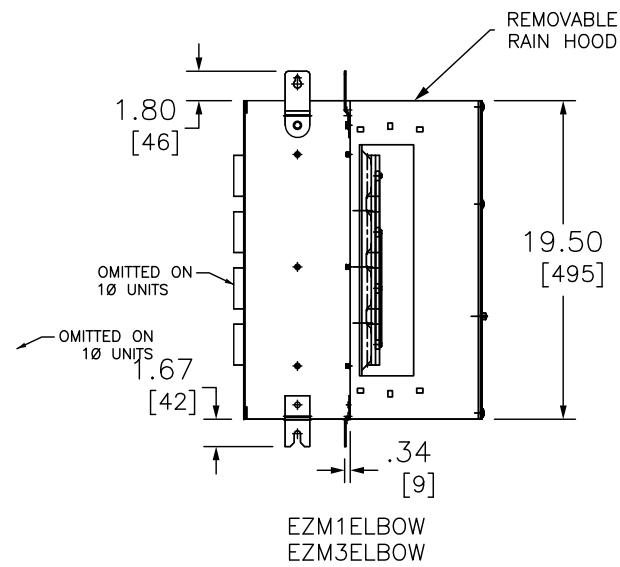


BUSSED CORNER SECTION RAINPROOF

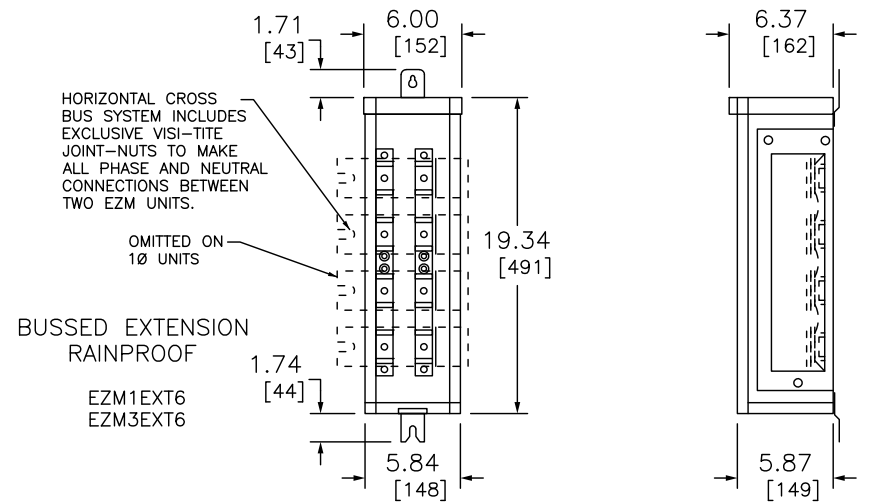
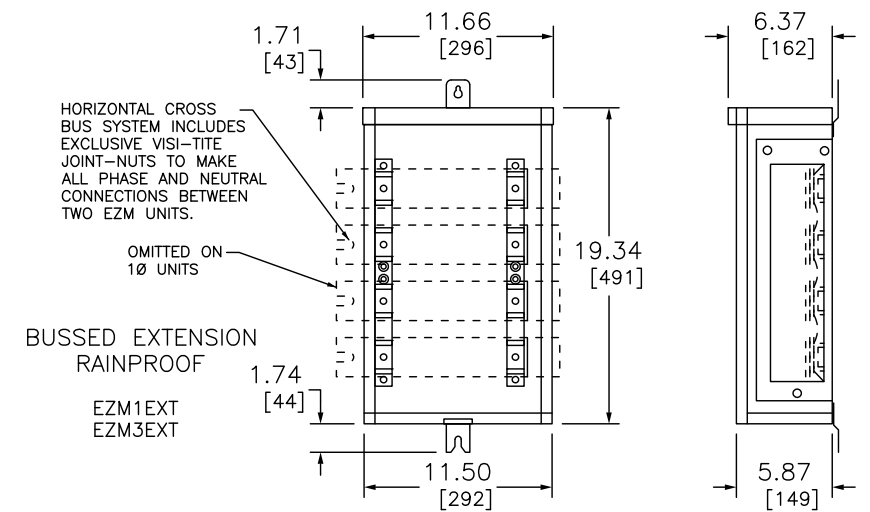
EZM1CORNER
EZM3CORNER



BOTTOM MOUNTING BRACKET



SEAL BRACKET



DUAL DIMENSIONS: INCHES
MILLIMETERS

SYSTEM TYPE (IN)	SERVICE PROVIDED (OUT)	CATALOG NUMBER	SERIES NUMBER	DESCRIPTION
1Ø 3W 120/240 VAC	1Ø 3W 120/240 VAC	EZM1CORNER	M04	BUSSED CORNER SECTION
		EZM1ELBOW		BUSSED ELBOW SECTION
		EZM1EXT6	M03	6" BUSSED EXTENSION SECTION
		EZM1EXT		12" BUSSED EXTENSION SECTION
3Ø 4W 208Y/120 VAC OR 240/120 VAC DELTA	3Ø 4W 208Y/120 VAC OR 240/120 VAC DELTA	EZM3CORNER	M04	BUSSED CORNER SECTION
		EZM3ELBOW		BUSSED ELBOW SECTION
		EZM3EXT6	M03	6" BUSSED EXTENSION SECTION
		EZM3EXT		12" BUSSED EXTENSION SECTION

NOTES:
FINISH - GRAY BAKED ENAMEL POWDER COAT PAINT OVER CLEANED GALVANNEALED STEEL.
UL LISTED - FILE E-131840, VOL M.
MAIN HORIZONTAL CROSS BUS RATED AT 1200 AMPERES.
GANGABLE MULTI-METERING EQUIPMENT IS DESIGNED FOR WALL MOUNTING ONLY
(NOT SUITABLE FOR FLOOR STANDING EQUIPMENT).
UNMETERED COMPARTMENTS ARE SEALABLE BY UTILITY.

EZ METER-PAK GANGABLE
MULTI-METERING EQUIPMENT
1200A BUSSED CORNER SECTIONS
ENCLOSURES - 1200A BUSSED EXTENSION SECTIONS
RAINPROOF NEMA TYPE 3R ENCLOSURES



DWG# 3162
NO.