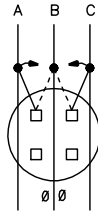
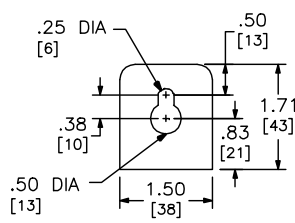
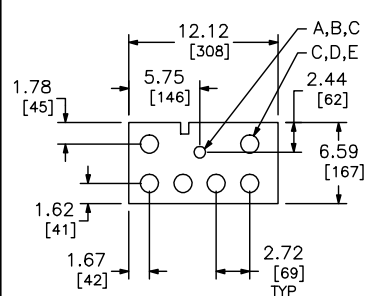


KNOCKOUTS		
SYMBOL	CONDUIT SIZE	
	IN	MM
A	.50	13
B	.75	19
C	1.00	25
D	1.25	32
E	1.50	38

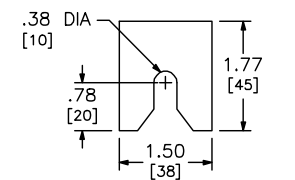


EACH SOCKET LINE CONNECTOR MAY BE MOVED TO BALANCE LOADING. PHASE AC, BC OR AB. THIS DEVICE LEAVES THE FACTORY PHASED AB, BC, AC, AB, BC AND AC TOP TO BOTTOM.

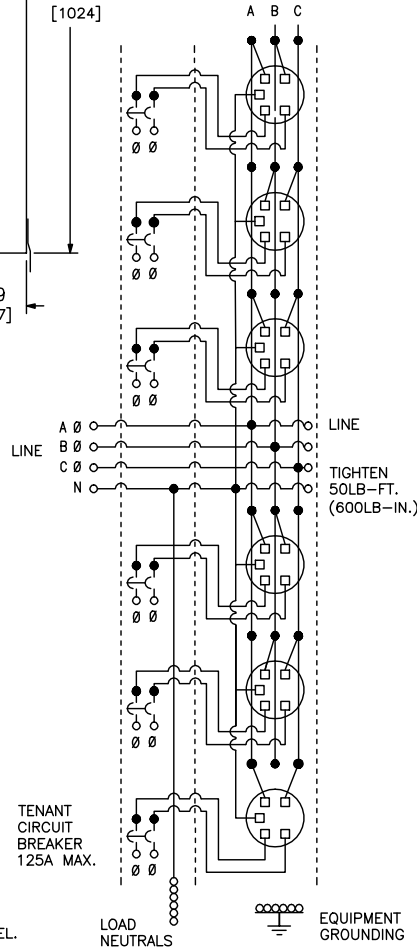
EZ METER-PAK GANGABLE
MULTI-METERING EQUIPMENT
125A MAX 3PH 4W METER SOCKET/CIRCUIT BREAKER
6-GANG BRANCH UNITS
RAINPROOF NEMA TYPE 3R ENCLOSURES



TOP MOUNTING BRACKET



BOTTOM MOUNTING BRACKET



NOTES:
FINISH - GRAY BAKED ENAMEL POWDER COAT PAINT OVER CLEANED GALVANNEALED STEEL.
UL LISTED AS A MODULAR-PANELBOARD - FILE E131840, VOL. M
SUITABLE FOR USE AS SERVICE EQUIPMENT.
UNMETERED COMPARTMENTS ARE SEALABLE BY UTILITY.
SEE MARKINGS ON TENANT CIRCUIT BREAKER FOR WIRE RANGES.
GANGABLE MULTI-METERING EQUIPMENT IS DESIGNED FOR WALL MOUNTING ONLY
(NOT SUITABLE FOR USE AS FLOOR STANDING EQUIPMENT).

DUAL DIMENSIONS: INCHES MILLIMETERS

SYSTEM TYPE (IN)	SERVICE PROVIDED (OUT)	CATALOG NUMBER	METER SOCKET TYPE	NUMBER OF POSITIONS	TENANT CIRCUIT BREAKER (ORDER SEPARATELY)	LOAD NEUTRAL WIRE RANGE	EQUIPMENT GROUND WIRE RANGE
3Ø 4W 208Y/120VAC	1Ø 3W 120/208VAC	EZM316125 EZM316125X EZM316125CUX	5-JAW RING TYPE WITHOUT BYPASS	6	Q0,Q0-VH,OR QOH 125A MAX 2-POLE	(6) #14-2/0 AWG CU (6) #12-2/0 AWG AL	(6) #14-2/0 AWG CU (6) #12-2/0 AWG AL
		EZMR316125 EZMR316125X EZMR316125CUX	5-JAW RINGLESS TYPE WITHOUT BYPASS				
		EZMH316125 EZMH316125X EZMH316125CUX	5-JAW RINGLESS TYPE WITH HORN BYPASS				

NO. 3156

