

# SurgeBreaker™ Plus Whole House Surge Protective Device (SPD)

ENGLISH

Instruction Bulletin

8250-0005

Rev. 02, 05/2015

Retain for future use.



by Schneider Electric

## Hazard Categories and Special Symbols

Read these instructions carefully and look at the equipment to become familiar with the device before trying to install, operate, service, or maintain it. The following special messages may appear throughout this bulletin or on the equipment to warn of hazards or to call attention to information that clarifies or simplifies a procedure.



The addition of either symbol to a “Danger” or “Warning” safety label indicates that an electrical hazard exists which will result in personal injury if the instructions are not followed.



This is the safety alert symbol. It is used to alert you to personal injury hazards. Obey all safety messages that follow this symbol to avoid possible injury or death.

### **⚠ DANGER**

**DANGER** indicates a hazardous situation which, if not avoided, **will result in death or serious injury**.

### **⚠ WARNING**

**WARNING** indicates a hazardous situation which, if not avoided, **can result in death or serious injury**.

### **⚠ CAUTION**

**CAUTION** indicates a hazardous situation which, if not avoided, **can result in minor or moderate injury**.

### **NOTICE**

**NOTICE** is used to address practices not related to physical injury. The safety alert symbol is not used with this signal word.

**NOTE:** Provides additional information to clarify or simplify a procedure.

## Please Note

Electrical equipment should be installed, operated, serviced, and maintained only by qualified personnel. No responsibility is assumed by Schneider Electric for any consequences arising out of the use of this material.

A qualified person is one who has skills and knowledge related to the construction, installation, and operation of electrical equipment and has received safety training to recognize and avoid the hazards involved.

## Table of Contents

<b>Introduction</b> .....	4
Electrical (AC Power) .....	4
Telephone .....	4
Cable (CATV) .....	4
Network .....	4
<b>Precautions</b> .....	6
<b>Pre-Installation Considerations</b> .....	6
<b>Mounting</b> .....	7
Connecting the Surge Device (AC Wiring) .....	8
Connecting the Low Voltage Cabling Telephone .....	9
Connecting the Low Voltage Cabling Network .....	10
Connecting the Low Voltage Cabling Cable (CATV) .....	10
<b>Operation and Testing</b> .....	11
AC Surge Module .....	11
<b>Module Replacement</b> .....	11

## Introduction

Square D™ Surgebreaker Plus Whole House Surge Protective Devices (SPDs) provide suppression of electrical surges to AC power as well as telephone, network and television cables. See Figure 1. Installed next to the circuit breaker power panel, the device is hard-wired to the electrical panel.

### Electrical (AC Power)

- Surge suppression capability up to 80,000 A per phase
- Discrete thermal disconnect surge suppression
- cULus Listed to UL 1449 3rd Ed., Type 1 SPD, CSA C22.2 No. 8-M1986, C233.1-87
- Modes of surge suppression: Line to Neutral, Line to Ground, Line to Line, Neutral to Ground (6 total)

### Telephone

- Surge suppression for one RJ45 cable (supports up to four lines)
- Suitable for digital or analog telephone lines
- Self-resetting fusing elements
- All mode surge suppression: tip-to-ground, ring-to-ground, and tip-to-ring

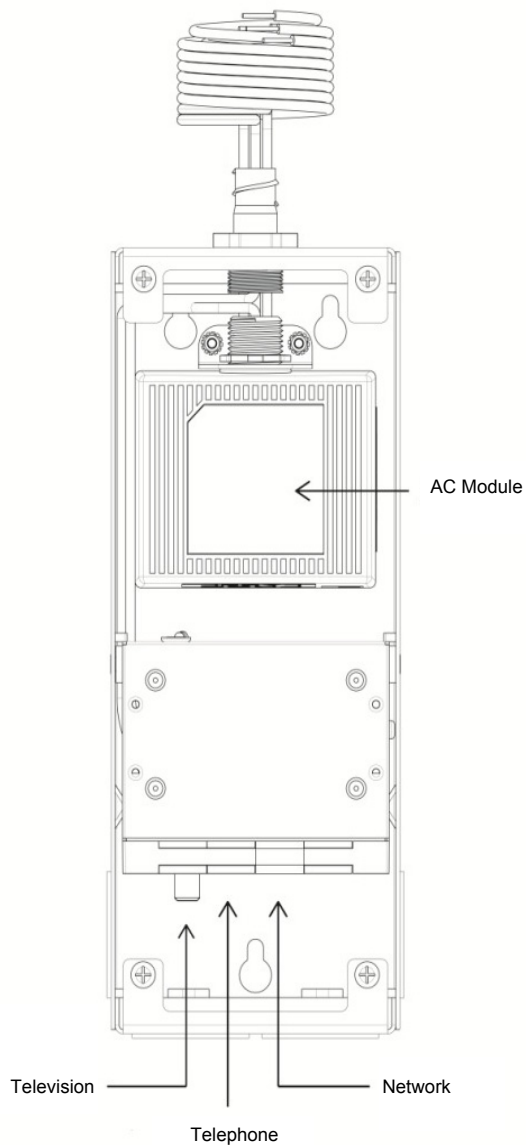
### Cable (CATV)

- Surge suppression for one coaxial (antenna/cable modem or satellite) line
- Suitable for use on all state-of-the-art television and hybrid fiber/coaxial systems

### Network

- Surge suppression for one Ethernet data cable
- Supports CAT5, CAT5e, and CAT6 cabling standards
- Compatible with Power Over Ethernet (POE) and network speeds up to 10GbE
- Line protection for RJ45 modem/fax/DSL

Figure 1: Surgebreaker Plus Configuration



## Precautions

### **⚠ DANGER**

#### **HAZARD OF ELECTRIC SHOCK, EXPLOSION, OR ARC FLASH**

- Apply appropriate personal protective equipment (PPE) and follow safe electrical work practices. See NFPA 70E or CSA Z462.
- This equipment must only be installed and serviced by qualified electrical personnel.
- Turn off all power supplying this equipment before working on or inside equipment.
- Always use a properly rated voltage sensing device to confirm that all power is off.
- Replace all devices, doors, and covers before turning on power to this equipment.
- This equipment must be effectively grounded per all applicable codes. Use an equipment-grounding conductor to connect this equipment to the power system ground.

**Failure to follow these instructions will result in death or serious injury.**

### **⚠ WARNING**

#### **INADEQUATE GROUNDING HAZARD**

Do not use on ungrounded systems.

**Failure to follow these instructions can result in death or serious injury.**

## Pre-Installation Considerations

Consider the following before installing the Whole House SPD.

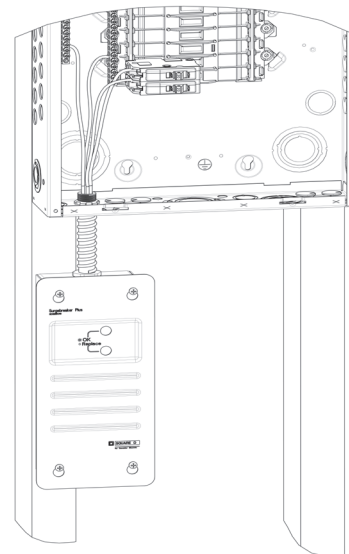
- The internal equipment layout of the power panel will vary depending on the manufacturer. Consult the manufacturer's documentation for details.
- All four service systems (electrical, telephone, network and television) should be routed to the vicinity of the power panel as the entry point to the system. If the telephone, networking and television cables enter the home from another location, they must be re-routed or extended to the power panel location.
- A properly functioning grounding system is critical to device operation. When correctly installed, the Whole House device provides a common grounding system as well as surge suppression.

## Mounting

1. Turn off all power supplying the load center/power panel.
2. Remove the power panel screws and door/cover.
3. Locate a position in the power panel for a new two-pole 20 A circuit breaker.
4. Insert the new two-pole circuit breaker into the power panel.
5. Locate a panel knockout closest to the location of the two-pole circuit breaker, and remove.
6. Mount the SPD near the power panel and as close to the knockout location as possible. See Figure 2.

**NOTE:** When mounting the SPD, ensure the distance between the power panel and the SPD allows for the ½ inch overhang of the doors/covers.

Figure 2: Mounting



### **⚠ DANGER**

#### **HAZARD OF ELECTRIC SHOCK, EXPLOSION, OR ARC FLASH**

- Turn off all power supplying this equipment before working on or inside equipment.
- Always use a properly rated voltage sensing device to confirm that all power is off.
- Replace all devices, doors, and covers before turning on power to this equipment.

**Failure to follow these instructions will result in death or serious injury.**

## Connecting the Surge Device (AC Wiring)

Determine the mounting location for the SPD, either below the load center/power panel or to the side of the load center/power panel.

Below the load center/power panel:

1. Cut the flexible conduit to a length of approximately two inches.  
**NOTE:** When mounting the SPD, ensure the distance between the power panel and the SPD allows for the ½ inch overhang of the doors/covers on the power panel and the SPD.
2. Slide the short piece of flexible conduit over the wires exiting the top of the SPD (two black, one white, one green). Fasten the flexible conduit to the connector on the top of SPD by twisting the conduit in a clockwise direction until the flexible conduit is completely on the connector.
3. Slide the second connector over the wires exiting the top of the SPD. Fasten the connector to the flexible conduit already mounted on the SPD by twisting the connector in a clockwise direction until the connector is completely fastened to the flexible conduit.
4. Thread the wires and connector through a knockout in the bottom of the power panel. Fasten the connector to the panel with the locknut supplied.
5. Connect the ground wire from the SPD to the grounding lug located in the power panel. See Figures 3.
6. Connect the SPD black wires now located in the power panel to the two-pole circuit breaker. See Figures 3 and 4.  
**NOTE:** Confirm that the two-pole circuit breaker is in the OFF position prior to installing the wires.
7. Connect the SPD white wire now located in the power panel to the neutral bus. See Figures 3 and 4.

To the side of the load center/power panel:

1. Cut the flexible conduit to a length of approximately six inches. The length should allow for a short 90 degree bend of the conduit to mount to the load center/power panel.  
**NOTE:** When mounting the SPD, ensure the distance between the power panel and the SPD allows for the ½ inch overhang of the doors/covers on the power panel and the SPD.
2. Slide the piece of flexible conduit over the wires exiting the top of the SPD (two black, one white, one green). Fasten the flexible conduit to the connector on the top of SPD by twisting the conduit in a clockwise direction until the flexible conduit is completely on the connector.
3. Slide the second connector over the wires exiting the top of the SPD. Fasten the connector to the flexible conduit already mounted on the SPD by twisting the connector in a clockwise direction until the connector is completely fastened to the flexible conduit.
4. Bend the conduit 90 degrees, and thread the wires and connector through a knockout in the side of the power panel. Fasten the connector to the panel with the locknut supplied.
5. Connect the ground wire from the SPD to the grounding lug located in the power panel. See Figures 3.
6. Connect the SPD black wires now located in the power panel to the two-pole circuit breaker. See Figures 3 and 4.  
**NOTE:** Confirm that the two-pole circuit breaker is in the OFF position prior to installing the wires.
7. Connect the SPD white wire now located in the power panel to the neutral bus. See Figures 3 and 4.



Figure 3: Layout

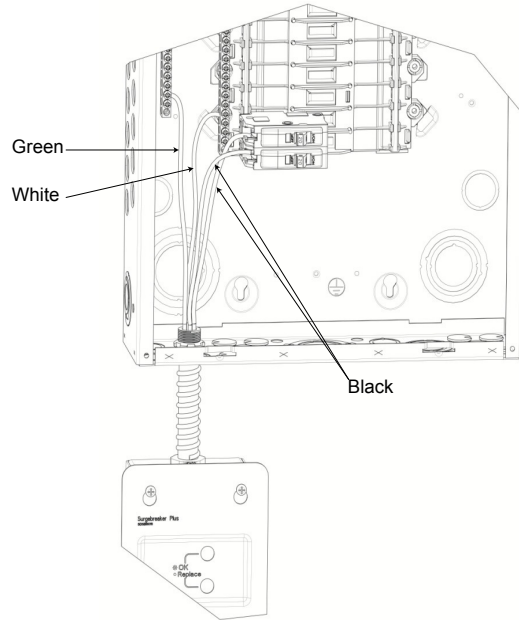
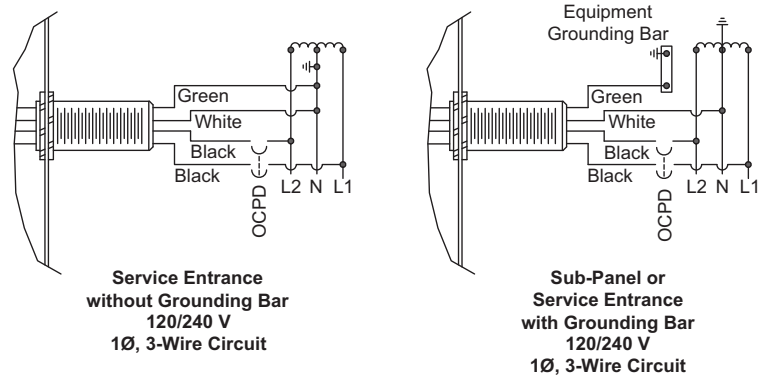


Figure 4: Typical AC Surge Module Wiring Connection Diagrams



### Connecting the Low Voltage Cabling-Telephone

1. Locate the incoming telephone cable and bring it into the SPD through one of the knockouts on the panel. See Figure 5.
2. Place a RJ11 or RJ45 connector on to the end of the telephone cable using the EIA/TIA 568A standard.
3. Place the cable into the “In” location of the telephone module.
4. Place a RJ11 or RJ45 connector on the end of the telephone cable leading to the homes cabling and through the “Out” location of the telephone module.
5. Check for a dial tone at any phone location.

### Connecting the Low Voltage Cabling-Network

1. Locate the incoming network cable from the modem and bring it into the SPD through one of the knockouts on the panel. See Figure 5.
2. Place a RJ45 connector on the end of the Ethernet cable coming from the modem using the EIA/TIA 568A standard.
3. Place the cable into the “In” location of the network module.
4. Place a RJ45 connector on the end of the Ethernet cable leading to the router or switch and through “out” location of the network module.
5. At any location attached to the router or switch, check for connectivity.

### Connecting the Low Voltage Cabling-Cable (CATV)

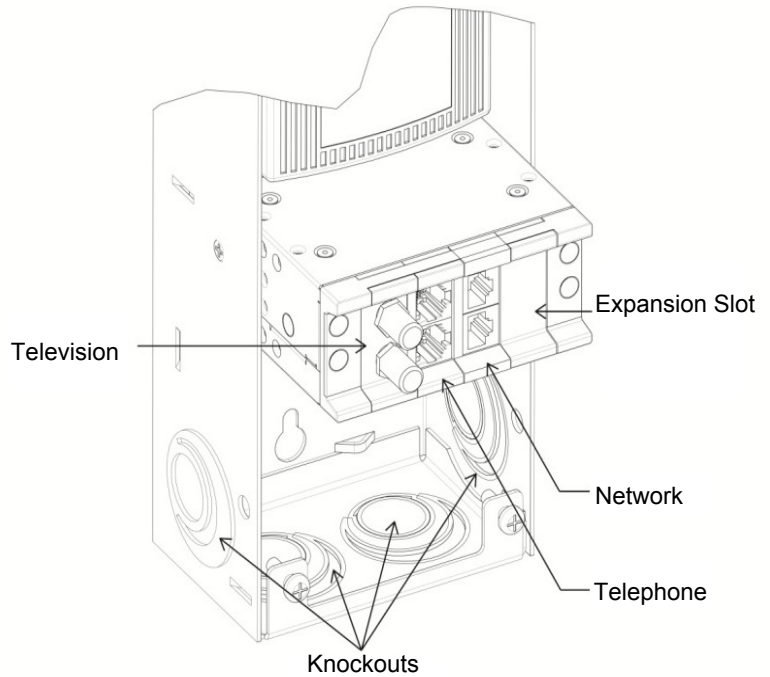
1. Locate the incoming coax cable or aerial antenna and bring it in to the SPD through one of the knockouts on the panel. See Figure 5.
2. Place a coax connector on the end of the cable or aerial antenna.
3. Place the cable into the “In” location of the cable module.
4. Place a coax connector on the end of the cable leading to the homes cabling and through the “Out” location of the cable module.
5. Check for TV service on any TV attached to the system.

**Table 1: Typical Telephone Wire Color Codes<sup>1</sup>**

Wire Pair	Tip (Ground)	Ring
01	Green (solid)	Red (solid)
	White or white with blue tracer	Blue or blue with white tracer
02	Black (solid)	Yellow
	White or white with orange tracer	Orange or orange with white tracer
03	White or white with green tracer	Green or green with white tracer
04	White or white with brown tracer	Brown or brown with white tracer

<sup>1</sup> The ring side of most incoming wire combinations will be primarily blue while the tip side will be primarily white. A tracer color stripe may be present. Multi-pair wires are color coded according to telephone industry standards.

Figure 5: Low Voltage Installation



## Operation and Testing

Restore power to the power panel and turn on the two-pole circuit breaker feeding the SPD. If the electrical and grounding sections are installed correctly the green lights on the AC section of the SPD will be on. If neither of the lights are on, turn off the power and review all steps of “mounting” on page 7.

## AC Surge Module

Periodically check the green lights on the AC surge suppression device to ensure that they are illuminated. If one or both of the green lights go out, it indicates that AC power or suppression has been lost.

## Module Replacement

The Whole House SPD is designed to provide years of reliable operation. If a surge occurs and exceeds the suppression ratings of the device, there is no need to replace the entire device. AC, telephone, television and network surge modules can be individually replaced. Contact a Square D distributor or retailer.

Table 2: Replacement Catalog Numbers

Description	Catalog Number
AC Surge Suppression Module	HEPD80
Telephone Surge Suppression Module	PTEL2R
Video Suppression Module	PVR
Network Suppression Module	PNETR6

**Surgebreaker® Plus Whole House Surge Protective Device (SPD)  
Instruction Bulletin**

ENGLISH

Electrical equipment should be installed, operated, serviced, and maintained only by qualified personnel. No responsibility is assumed by Schneider Electric for any consequences arising out of the use of this material.

Square D™ and Schneider Electric™ are trademarks or registered trademarks of Schneider Electric. Other trademarks used herein are the property of their respective owners.

**Schneider Electric USA, Inc.**  
800 Federal Street  
Andover, MA 01810 USA  
888-778-2733  
[www.schneider-electric.us](http://www.schneider-electric.us)

8250-0005 Rev. 02, 05/2015  
Replaces 8250-0005 Rev. 01, 02/2015  
© 2010–2015 Schneider Electric All Rights Reserved

# SurgeBreaker™ Plus

## Dispositivo de protección contra sobretensiones transitorias (SPD) para el hogar

Boletín de instrucciones

8250-0005

Rev. 02, 05/2015

Conservar para uso futuro.



ESPAÑOL



by Schneider Electric

## Categorías de riesgos y símbolos especiales



Asegúrese de leer detenidamente estas instrucciones y realice una inspección visual del equipo para familiarizarse con él antes de instalarlo, hacerlo funcionar o prestarle servicio de mantenimiento. Los siguientes mensajes especiales pueden aparecer en este boletín o en el equipo para advertirle sobre peligros o llamar su atención sobre cierta información que clarifica o simplifica un procedimiento.

La adición de cualquiera de estos símbolos a una etiqueta de seguridad de "Peligro" o "Advertencia" indica la existencia de un peligro eléctrico que podrá causar lesiones personales si no se observan las instrucciones.

Este es el símbolo de alerta de seguridad. Se usa para avisar sobre peligros de lesiones personales. Respete todos los mensajes de seguridad con este símbolo para evitar posibles lesiones o la muerte.

### **⚠ PELIGRO**

**PELIGRO** indica una situación de peligro que, si no se evita, **podrá causar** la muerte o lesiones serias.

### **⚠ ADVERTENCIA**

**ADVERTENCIA** indica una situación peligrosa que, si no se evita, **puede causar** la muerte o lesiones serias.

### **⚠ PRECAUCIÓN**

**PRECAUCIÓN** indica una situación peligrosa que, si no se evita, **puede causar** lesiones menores o moderadas.

### **AVISO**

**AVISO** se usa para hacer notar prácticas no relacionadas con lesiones físicas. El símbolo de alerta de seguridad no se usa con esta palabra de indicación.

**NOTA:** Proporciona información adicional para clarificar o simplificar un procedimiento.

## Observe que

Solamente el personal calificado deberá instalar, hacer funcionar y prestar servicios de mantenimiento al equipo eléctrico. Schneider Electric no asume responsabilidad alguna por las consecuencias emergentes de la utilización de este material.

Una persona calificada es aquella que tiene destreza y conocimiento técnico relacionado con la construcción, instalación y funcionamiento del equipo eléctrico; asimismo, esta persona ha recibido capacitación sobre seguridad con la cual puede reconocer y evitar los riesgos involucrados.

## Contenido

<b>Introducción</b> .....	<b>4</b>
<b>Características del sistema</b> .....	<b>4</b>
Eléctricas (alimentación de ~) .....	4
Teléfono .....	4
Cable (CATV) .....	4
Red .....	4
<b>Precauciones</b> .....	<b>6</b>
<b>Aspectos importantes de pre-instalación</b> .....	<b>6</b>
<b>Montaje</b> .....	<b>7</b>
Conexión del dispositivo de sobretensiones transitorias (Alambrado de ~) .....	8
Conexión de los cables de baja tensión del teléfono .....	10
Conexión de los cables de baja tensión de la red .....	10
Conexión de los cables de baja tensión de la televisión por cable (CATV) .....	10
<b>Funcionamiento y prueba</b> .....	<b>11</b>
Módulo de ~ .....	11
<b>Sustitución del módulo</b> .....	<b>11</b>

## Introducción

Los dispositivos de protección contra sobretensiones transitorias (SPD) para el hogar Surgebreaker Plus marca Square D™ proporcionan supresión transitorios eléctricos a la alimentación de ~, así como a los cables de teléfono, red y televisión. Vea la figura 1. Instalado junto al tablero de alimentación del interruptor automático, el dispositivo está físicamente conectado al tablero de alimentación eléctrica.

## Características del sistema

### Eléctricas (Alimentación de ~)

- Capacidad de supresión de transitorios de hasta un máximo de 80 000 A por fase
- Supresión discreta de sobretensiones transitorias para desconexión térmica
- Aprobado por cULus de acuerdo con las normas UL 1449 3ª Ed., SPD tipo 1, CSA C22.2 no. 8-M1986, C233.1-87
- Modos de supresión de sobretensiones transitorias: Línea a neutro, línea a tierra, línea a línea, neutro a tierra

### Teléfono

- Supresión de transitorios para un cable con conector RJ45 (acepta hasta un máximo de cuatro líneas)
- Adecuado para líneas telefónicas digitales o analógicas
- Elementos fusibles con autorestablecimiento
- Todo los modos de supresión de transitorios: punta a tierra, nuca a tierra y punta a nuca

### Cable (CATV)

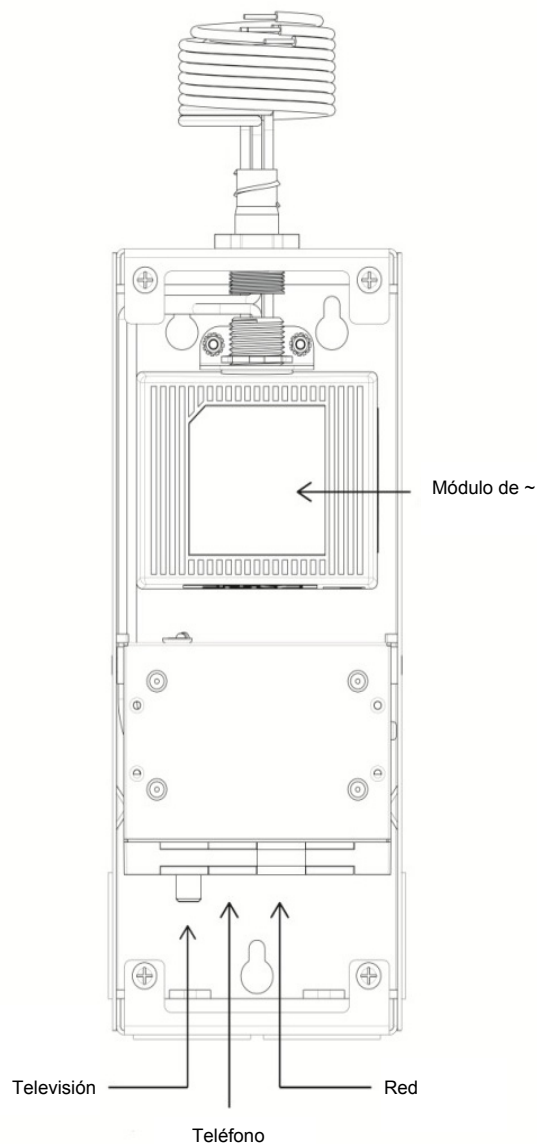
- Supresión de transitorios para una línea coaxial (antena/satélite o cablemódem)
- Se puede usar en todos los sistemas modernos de cables coaxiales/fibra híbrida y televisión

### Red

- Supresión de transitorios para un cable de datos Ethernet
- Acepta cables de categoría CAT5, CAT5e y CAT6
- Compatible con alimentación a través de Ethernet (PoE) y velocidades de red de hasta 10GbE
- Protección de línea para módem/fax/DSL por conector RJ45



Figura 1: Configuración del Surgebreaker Plus



ESPAÑOL

## Precauciones

### **⚠ PELIGRO**

#### **PELIGRO DE DESCARGA ELÉCTRICA, EXPLOSIÓN O DESTELLO POR ARQUEO**

- Utilice equipo de protección personal (EPP) apropiado y siga las prácticas de seguridad en trabajos eléctricos establecidas por su Compañía, consulte la norma 70E de NFPA/Z462 de CSA y NOM-029-STPS.
- Solamente el personal eléctrico calificado deberá instalar y prestar servicio de mantenimiento a este equipo.
- Desenergice el equipo antes de realizar cualquier trabajo dentro o fuera de él.
- Siempre utilice un dispositivo detector de tensión nominal adecuado para confirmar la desenergización del equipo.
- Vuelva a colocar todos los dispositivos, las puertas y las cubiertas antes de energizar este equipo.
- Este equipo deberá estar correctamente conectado a tierra de acuerdo con los códigos aplicables. Utilice un conductor de conexión a tierra del equipo para conectar este último a la tierra del sistema de alimentación.

**El incumplimiento de estas instrucciones podrá causar la muerte o lesiones serias.**

### **⚠ ADVERTENCIA**

#### **PELIGRO DE PUESTA A TIERRA INAPROPIADA**

No lo utilice en sistemas no puestos a tierra.

**El incumplimiento de estas instrucciones puede causar la muerte o lesiones serias.**

## Aspectos importantes de pre-instalación

Tenga en cuenta lo siguiente antes de instalar el dispositivo de protección contra sobretensiones transitorias para el hogar:

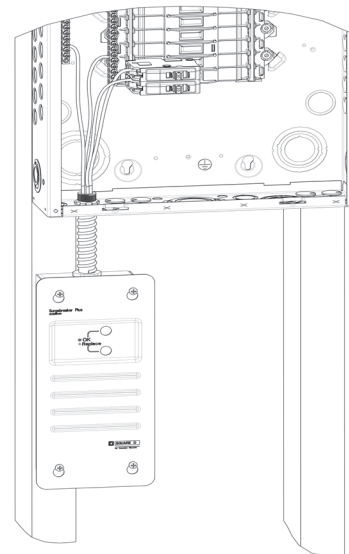
- La configuración interna del equipo del tablero de alimentación variará según el fabricante. Consulte la documentación del fabricante para obtener detalles.
- Todos los cuatro sistemas de servicio (eléctrico, telefónico, red y televisión) deberán enrutarse cerca del tablero de alimentación puesto que éste será el punto de entrada del sistema. Si los cables telefónicos, de red y de televisión entran al hogar desde otro punto, entonces tendrá que re-enrutar o extenderlos para que alcancen el tablero de alimentación.
- Para que el dispositivo funcione como es debido es muy importante que el sistema de puesta a tierra funcione correctamente. Cuando ha sido instalado correctamente, este dispositivo proporciona un sistema de protección a tierra común así como protección contra sobretensiones transitorias.

## Montaje

1. Desenergice todas fuentes que alimentan al tablero de alimentación o centro de carga.
2. Quite los tornillos del tablero de alimentación y la puerta/cubierta.
3. Busque una posición en el tablero de alimentación para un nuevo interruptor automático de dos polos 20 A.
4. Inserte el nuevo interruptor de dos polos en el tablero de alimentación.
5. Localice un disco removible en el tablero que se encuentre lo más cercano al interruptor de dos polos y despréndalo.
6. Monte el SPD cerca del tablero de alimentación y lo más cercano posible al disco removible. Vea la figura 2.

**NOTA:** Al montar el SPD, asegúrese de que la distancia entre el tablero de alimentación y el SPD permita la proyección de ½ pulgada (12,7 mm) de las puertas/cubiertas.

Figura 2: Montaje



### ⚠ PELIGRO

#### PELIGRO DE DESCARGA ELÉCTRICA, EXPLOSIÓN O DESTELLO POR ARQUEO

- Desenergice el equipo antes de realizar cualquier trabajo dentro o fuera de él.
- Siempre utilice un dispositivo detector de tensión nominal adecuado para confirmar la desenergización del equipo.
- Vuelva a colocar todos los dispositivos, las puertas y las cubiertas antes de energizar este equipo.

**El incumplimiento de estas instrucciones podrá causar la muerte o lesiones serias.**

## Conexión del dispositivo de protección contra sobretensiones transitorias (Alambrado de ~)

Determine la ubicación de montaje para el SPD, debajo del tablero de alimentación o centro de carga, o bien, al lado del centro de carga o tablero de alimentación.

Debajo del centro de carga o tablero de alimentación:

1. Corte el tubo conduit flexible en una longitud de aproximadamente dos pulgadas (50 mm).  
**NOTA:** Al montar el SPD, asegúrese de que la distancia entre el tablero de alimentación y el SPD permita la proyección de ½ pulgada (12,7 mm) de las puertas/cubiertas en el tablero de alimentación y el SPD.
2. Deslice la pieza corta del tubo conduit flexible sobre los cables saliendo de la parte superior del SPD (dos negros, uno blanco y uno verde). Sujete el tubo conduit flexible al conector en la parte superior del SPD torciendo el tubo conduit en sentido de las manecillas del reloj hasta que el tubo conduit flexible se encuentre completamente en el conector.
3. Deslice el segundo conector sobre los cables saliendo de la parte superior del SPD. Sujete el conector al tubo conduit flexible ya montado en el SPD girando el conector en sentido de las manecillas del reloj hasta que el conector se encuentre completamente sujetado al tubo conduit flexible.
4. Enrosque los cables y el conector por el agujero que creó al desprender el disco removible en la parte inferior del tablero de alimentación. Sujete el conector al tablero con la tuerca de seguridad suministrada.
5. Conecte el conductor de tierra del SPD a la zapata de conexión a tierra situada en el tablero de alimentación. Vea la figura 3.
6. Conecte los cables negros del SPD, ahora situados en el tablero de alimentación, al interruptor automático de dos polos. Vea las figuras 3 y 4.  
**NOTA:** Confirme que el interruptor automático de dos polos esté en la posición de abierto (O/OFF) antes de instalar los cables.
7. Conecte el cable blanco del SPD, ahora situado en el tablero de alimentación, a la barra de neutro. Vea las figuras 3 y 4.

Al lado del centro de carga/tablero de alimentación:

1. Corte el tubo conduit flexible en una longitud de aproximadamente seis pulgadas (152 mm). La longitud debe permitir un doblez corto de 90 grados del tubo conduit para montarlo en el tablero de alimentación o centro de carga.  
**NOTA:** Al montar el SPD, asegúrese de que la distancia entre el tablero de alimentación y el SPD permita la proyección de ½ pulgada (12,7 mm) de las puertas/cubiertas en el tablero de alimentación y el SPD.
2. Deslice la pieza del tubo conduit flexible sobre los cables saliendo de la parte superior del SPD (dos negros, uno blanco y uno verde). Sujete el tubo conduit flexible al conector en la parte superior del SPD torciendo el tubo conduit en sentido de las manecillas del reloj hasta que el tubo conduit flexible se encuentre completamente en el conector.
3. Deslice el segundo conector sobre los cables saliendo de la parte superior del SPD. Sujete el conector al tubo conduit flexible ya montado en el SPD girando el conector en sentido de las manecillas del reloj hasta que el conector se encuentre completamente sujetado al tubo conduit flexible.
4. Doble el tubo conduit 90 grados y enrosque los cables y el conector por uno de los agujeros creados al desprender el disco removible en el lado

- del tablero de alimentación. Sujete el conector al tablero con la tuerca de seguridad suministrada.
5. Conecte el cable de tierra del SPD a la zapata de conexión a tierra situada en el tablero de alimentación. Vea la figura 3.
  6. Conecte los cables negros del SPD, ahora situados en el tablero de alimentación, al interruptor automático de dos polos. Vea las figuras 3 y 4.
- NOTA:** Confirme que el interruptor automático de dos polos esté en la posición de abierto (O/OFF) antes de instalar los cables.
7. Conecte el cable blanco del SPD, ahora situado en el tablero de alimentación, a la barra de neutro. Vea las figuras 3 y 4.

Figura 3: Disposición

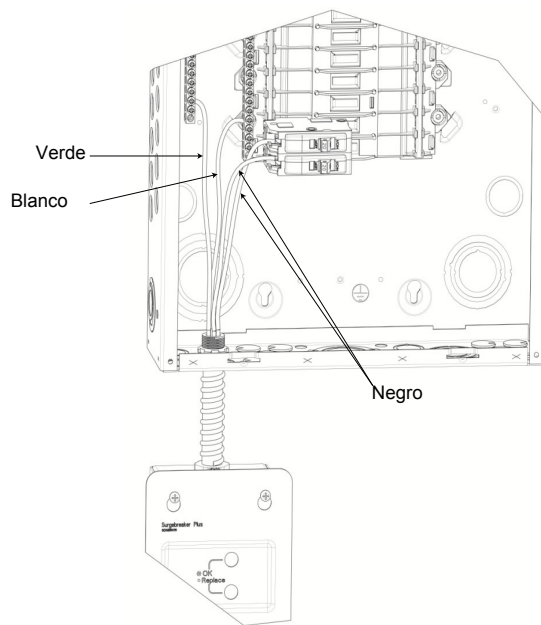
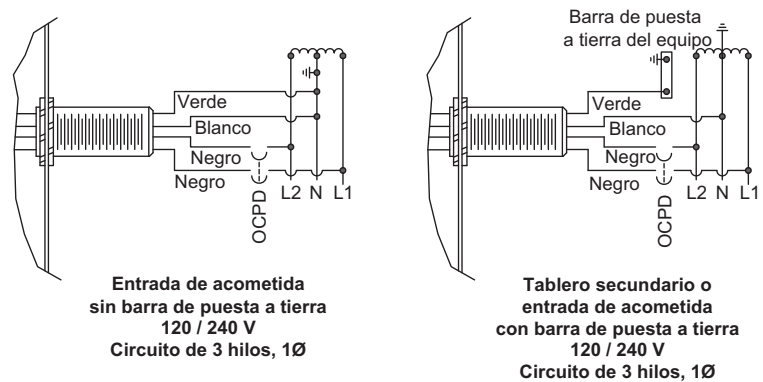


Figure 4: Diagramas típicos de conexión del alambrado del módulo de ~ contra sobretensiones transitorias



### Conexión del cable de baja tensión del teléfono

1. Localice el cable de teléfono entrante e introdúzcalo en el SPD a través de uno de los agujeros creados al desprender los discos removibles en el tablero de alimentación. Vea la figura 5.
2. Coloque un conector RJ11 o RJ45 en el extremo del cable telefónico utilizando el estándar EIA/TIA 568A.
3. Coloque el cable en la ubicación de entrada (In) del módulo de teléfono.
4. Coloque un conector RJ11 o RJ45 en el extremo del cable telefónico que entra al alambrado de la casa y por la ubicación de salida (Out) del módulo de teléfono.
5. Verifique que haya un tono de marcar en todos los teléfonos.

### Conexión del cable de baja tensión de la red

1. Localice el cable de la red entrante del módem e introdúzcalo en el SPD a través de uno de los agujeros creados al desprender los discos removibles en el tablero de alimentación. Vea la figura 5.
2. Coloque un conector RJ45 en el extremo del cable Ethernet proveniente del módem usando el estándar EIA/TIA 568A.
3. Coloque el cable en la ubicación de entrada (In) del módulo de la red.
4. Coloque un conector RJ45 en el extremo del cable Ethernet, que entra al enrutador o conmutador y por la ubicación de salida (Out) del módulo de la red.
5. En cualquier lugar conectado al enrutador o conmutador, compruebe la conectividad.

### Conexión del cable de baja tensión de la televisión por cable (CATV)

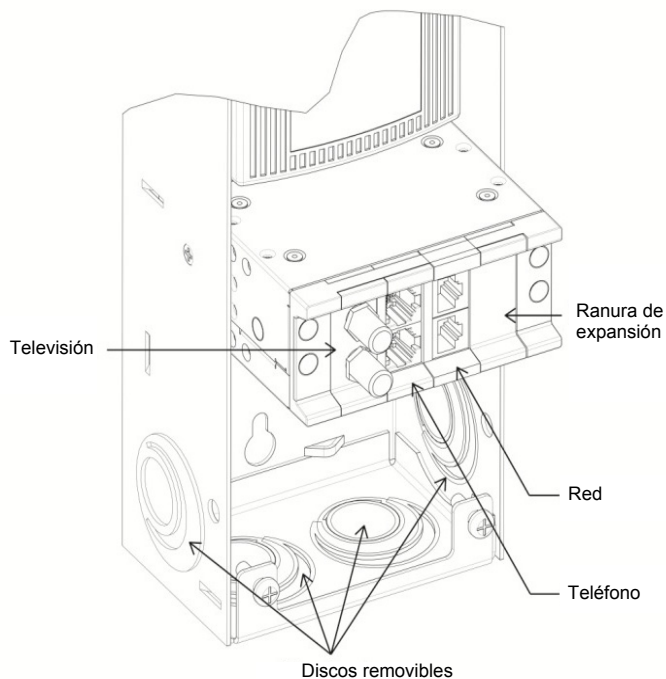
1. Localice el cable coaxial entrante o de la antena e introdúzcalo en el SPD a través de uno de los agujeros creados al desprender los discos removibles en el tablero de alimentación. Vea la figura 5.
2. Coloque un conector de cable coaxial en el extremo del cable o antena.
3. Coloque el cable en la ubicación de entrada (In) del módulo de cables.
4. Coloque un conector de cable coaxial en el extremo del cable que entra al alambrado de la casa y por la ubicación de salida (Out) del módulo de cables.
5. Compruebe que haya servicio de TV en cualquier televisor conectado al sistema.

**Tabla 1: Típicos códigos de colores de los conductores telefónicos<sup>1</sup>**

Par de conductores	Punta (tierra)	Nuca
01	Verde (sólido)	Rojo (sólido)
	Blanco o blanco con identificador azul	Azul o azul con identificador blanco
02	Negro (sólido)	Amarillo
	Blanco o blanco con identificador anaranjado	Anaranjado o anaranjado con identificador blanco
03	Blanco o blanco con identificador verde	Verde o verde con identificador blanco
04	Blanco o blanco con identificador café	Café o café con identificador blanco

<sup>1</sup> El conductor del lado de nuca de la mayoría de las combinaciones de conductores entrantes será principalmente azul mientras que el conductor del lado de punta será principalmente blanco. Posiblemente se encuentre una raya identificadora de color. Los conductores de pares múltiples están codificados según los colores dispuestos por las normas de la industria telefónica.

**Figura 5: Instalación de los cables de baja tensión**



## Funcionamiento y prueba

Restablezca la energía al tablero de alimentación y energice el interruptor automático de dos polos que alimenta al SPD. Si las conexiones eléctricas y de puesta a tierra se han realizado correctamente, las luces verdes en el módulo de ~ del SPD, se iluminarán. Si ninguna de las luces se ilumina, desconecte la alimentación y revise todos los pasos de "montaje" en la página 7.

## Módulo de supresión de sobretensiones transitorias de ~

Periódicamente, compruebe que las luces verdes del dispositivo de supresión de sobretensiones transitorias de ~ estén encendidas. Si una o ambas luces verdes están apagadas, esto es una indicación de que se ha perdido la supresión o alimentación de ~.

## Sustitución del módulo

El SPD para el hogar ha sido diseñado para ofrecerle años de funcionamiento fiable. Si llegase a ocurrir una sobretensión transitoria que exceda la capacidad de supresión del dispositivo, no es necesario sustituir todo el módulo. Los módulos de protección contra sobretensiones transitorias de la alimentación de ~, del teléfono, de la televisión y de la red se pueden sustituir individualmente. Póngase en contacto con su distribuidor de productos Square D más cercano.

**Tabla 2: Números de catálogo de repuesto**

Descripción	Número de catálogo
Módulo de supresión de sobretensiones transitorias de ~	HEPD80
Módulo de supresión de sobretensiones transitorias del teléfono	PTEL2R
Módulo de supresión de sobretensiones transitorias de vídeo	PVR
Módulo de supresión de sobretensiones transitorias de la red	PNETR6

Importado en México por:  
**Schneider Electric México, S.A. de C.V.**  
Av. Ejercito Nacional No. 904  
Col. Palmas, Polanco 11560 México, D.F.  
55-5804-5000  
[www.schneider-electric.com.mx](http://www.schneider-electric.com.mx)

Solamente el personal calificado deberá instalar, hacer funcionar y prestar servicios de mantenimiento al equipo eléctrico. Schneider Electric no asume responsabilidad alguna por las consecuencias emergentes de la utilización de este material.

Square D™ y Schneider Electric™ son marcas comerciales o marcas registradas de Schneider Electric. Cualquier otra marca comercial utilizada en este documento pertenece a sus respectivos propietarios.

8250-0005 Rev. 02, 05/2015  
Reemplaza 8250-0005, Rev. 01, 02/2015  
© 2010–2015 Schneider Electric Reservados todos los derechos



# SurgeBreaker<sup>MC</sup> Plus

## Dispositif de protection contre les surtensions transitoires (SPD) pour toute la maison

Directives d'utilisation

8250-0005

Rev. 02, 05/2015

À conserver pour usage ultérieur.



FRANÇAIS



by Schneider Electric

## Catégories de dangers et symboles spéciaux



Lisez attentivement ces directives et examinez l'appareil pour vous familiariser avec son fonctionnement avant de faire son installation ou son entretien. Les messages spéciaux suivants peuvent apparaître dans les présentes directives ou sur l'appareil pour avertir l'utilisateur de dangers ou pour attirer l'attention sur des informations qui clarifient ou simplifient une procédure.

L'ajout d'un de ces deux symboles à une étiquette de sécurité de « Danger » ou d'« Avertissement » indique qu'un danger électrique existe et qu'il peut entraîner des blessures corporelles si les directives ne sont pas respectées.

Ceci est le symbole d'alerte de sécurité. Il est utilisé pour vous alerter de dangers de blessures corporelles. Veuillez vous conformer à tous les messages de sécurité qui suivent ce symbole pour éviter une blessure ou la mort.

### **⚠ DANGER**

**DANGER** indique une situation de danger qui, si elle n'est pas évitée, **entraînera** la mort ou des blessures graves.

### **⚠ AVERTISSEMENT**

**AVERTISSEMENT** indique une situation de danger qui, si elle n'est pas évitée, **peut entraîner** la mort ou des blessures graves.

### **⚠ ATTENTION**

**ATTENTION** indique une situation de danger qui, si elle n'est pas évitée, **peut entraîner** des blessures mineures ou modérées.

### **AVIS**

**AVIS** est utilisé pour aborder des pratiques ne concernant pas les blessures. Le symbole d'alerte de sécurité n'est pas utilisé avec ce mot de signal.

**REMARQUE** : Fournit des renseignements complémentaires pour clarifier ou simplifier une procédure.

## Veillez noter

Seul un personnel qualifié doit effectuer l'installation, l'utilisation, l'entretien et la maintenance du matériel électrique. Schneider Electric n'assume aucune responsabilité des conséquences éventuelles découlant de l'utilisation de cette documentation.

Une personne qualifiée est une personne disposant de compétences et de connaissances dans le domaine de la construction et du fonctionnement des équipements électriques et installations et ayant bénéficié d'une formation de sécurité afin de reconnaître et d'éviter les risques encourus.

## Table des matières

<b>Introduction</b> .....	<b>4</b>
Spécifications de fonctionnement du système .....	4
Caractéristiques électriques (Alimentation ca) .....	4
Téléphone .....	4
Câble (CATV [télévision par câble]) .....	4
Réseau .....	4
<b>Précautions</b> .....	<b>6</b>
<b>À considérer avant l'installation</b> .....	<b>6</b>
<b>Montage 7</b> .....	<b>7</b>
Raccordement du dispositif de protection contre les surtensions transitoires (Câblage ca) .....	8
Raccordement du câble basse tension-Téléphone .....	9
Raccordement du câble basse tension-Réseau .....	10
Raccordement du câble basse tension-Télévision par câble (CATV) .....	10
<b>Fonctionnement et essai</b> .....	<b>11</b>
Module du ca .....	11
<b>Remplacement des modules</b> .....	<b>11</b>

## Introduction

Les dispositifs de protection contre les surtensions transitoires (SPD) pour toute la maison Surgebreaker Plus de Square D<sup>MC</sup> fournissent la suppression des surtensions transitoires dans l'alimentation ~ (ca) ainsi que dans les lignes de téléphone et les câbles de réseau et de la télévision. Voir la figure 1. Installé à côté du panneau de distribution à disjoncteurs, le dispositif est relié à ce dernier.

## Spécifications de fonctionnement du système

### Caractéristiques électriques (Alimentation ca)

- Capacité de suppression de surtensions transitoires jusqu'à 80 000 A par phase
- Suppression des surtensions TOR (tout ou rien) de coupure thermique
- Inscrit cULus selon UL 1449 3ème édition, SPD type 1, CSA C22.2 N° 8-M1986, C233.1-87
- Modes de suppression des surtensions transitoires : ligne à neutre, ligne à terre, ligne à ligne et neutre à terre

### Téléphone

- Suppression des surtensions transitoires pour un câble RJ45 (accepte jusqu'à quatre lignes)
- Convenable pour des lignes de téléphone numériques et analogiques
- Éléments fusibles à réinitialisation autonome
- Suppression des surtensions transitoires de tous les modes : pointe « tip » (+) à terre, anneau « ring » (-) à terre et pointe (+) à anneau (-)

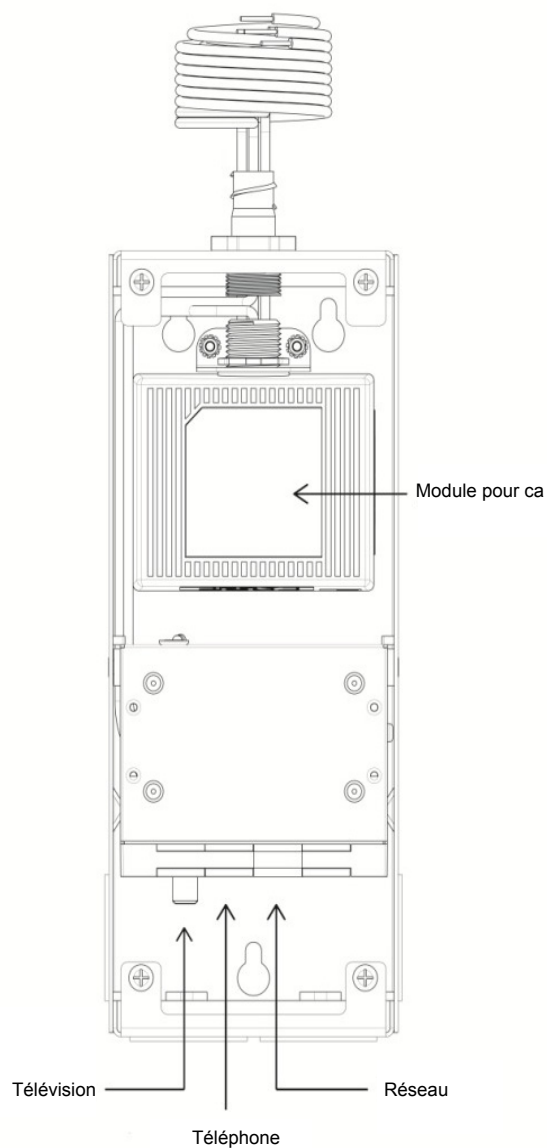
### Câble (CATV [télévision par câble])

- Suppression des surtensions transitoires pour une ligne coaxiale (antenne, modem par câble ou satellite)
- Convient à l'utilisation avec tous les systèmes récents de télévision et les systèmes hybrides fibre optique/câble coaxial

### Réseau

- Suppression des surtensions transitoires pour un câble de données Ethernet
- Accepte les câbles de catégorie CAT5, CAT5e et CAT6
- Compatible avec l'alimentation par Ethernet (PoE) et le réseau accélère jusqu'à 10GbE
- Protection de ligne pour modem/fax/ligne numérique d'abonné (DSL) à câble RJ45

Figure 1 : Configuration du Surgebreaker Plus



FRANÇAIS

## Précautions

### **⚠ DANGER**

#### **RISQUE D'ÉLECTROCUTION, D'EXPLOSION OU D'ÉCLAIR D'ARC**

- Portez un équipement de protection personnelle (ÉPP) approprié et observez les méthodes de travail électrique sécuritaire. Voir NFPA 70E ou CSA Z462.
- Seul un personnel qualifié doit effectuer l'installation et l'entretien de cet appareil.
- Coupez toutes les alimentations à cet appareil avant d'y travailler.
- Utilisez toujours un dispositif de détection de tension à valeur nominale appropriée pour vous assurer que l'alimentation est coupée.
- Remplacez tous les dispositifs, les portes et les couvercles avant de mettre l'appareil sous tension.
- Cet appareil doit être effectivement mis à la terre selon tous les codes en vigueur. Utilisez un conducteur de m.à.l.t. d'appareil pour raccorder celui-ci à la terre du système d'alimentation.

**Si ces directives ne sont pas respectées, cela entraînera la mort ou des blessures graves.**

### **⚠ AVERTISSEMENT**

#### **RISQUE DE MISE À LA TERRE INADÉQUATE**

N'utilisez pas sur des systèmes flottants.

**Si ces directives ne sont pas respectées, cela peut entraîner la mort ou des blessures graves.**

## À considérer avant l'installation

Tenir compte des points suivants avant d'installer le SPD pour toute la maison.

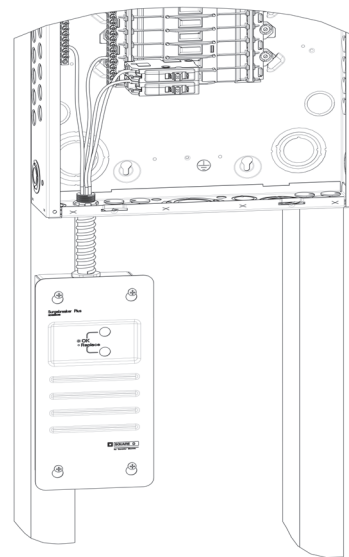
- La disposition des éléments internes du panneau de distribution variera selon son fabricant. Consulter la documentation du fabricant pour plus de détails.
- Les quatre systèmes de services (électricité, téléphone, réseau et télévision) devraient être acheminés à proximité du panneau de distribution, comme point d'entrée vers le système. Si les câbles de téléphone, du réseau et de télévision entrent par un autre endroit de la maison, il faudra les réacheminer ou les allonger pour atteindre l'emplacement du panneau de distribution.
- Un système de mise à la terre pleinement fonctionnel est critique pour assurer le bon fonctionnement du système. Lorsqu'il est correctement installé, le dispositif pour toute la maison fournit un système de mise à la terre commun et une protection contre les surtensions transitoires.

## Montage

1. Couper l'alimentation électrique au panneau ou centre de distribution.
2. Enlever les vis du panneau de distribution, puis le couvercle ou la porte.
3. Trouver un emplacement dans le panneau de distribution pour un nouveau disjoncteur bipolaire de 20 A.
4. Insérer le nouveau disjoncteur bipolaire dans le panneau de distribution.
5. Localiser une débouchure du panneau la plus proche de l'emplacement du disjoncteur bipolaire et l'enlever.
6. Monter le SPD près du panneau de distribution et aussi près que possible de l'emplacement de la débouchure. Voir la figure 2.

**REMARQUE :** Lors du montage du SPD, s'assurer que la distance entre le panneau de distribution et le SPD permette le surplomb de  $\frac{1}{2}$  po (12,7 mm) des portes/couvercles.

Figure 2 : Montage



### **⚠ DANGER**

#### **RISQUE D'ÉLECTROCUTION, D'EXPLOSION OU D'ÉCLAIR D'ARC**

- Coupez toutes les alimentations à cet appareil avant d'y travailler.
- Utilisez toujours un dispositif de détection de tension à valeur nominale appropriée pour vous assurer que l'alimentation est coupée.
- Remplacez tous les dispositifs, les portes et les couvercles avant de mettre l'appareil sous tension

**Si ces directives ne sont pas respectées, cela entraînera la mort ou des blessures graves.**

## Raccordement du dispositif de protection contre les surtensions transitoires (Câblage ca)

Déterminer l'emplacement de montage du SPD, soit sous le centre/panneau de distribution, soit à côté du centre/panneau de distribution.

Sous le centre/panneau de distribution :

1. Couper le conduit flexible à une longueur d'environ de 2 po (50 mm).  
**REMARQUE** : Lors du montage du SPD, s'assurer que la distance entre le panneau de distribution et le SPD permette le surplomb de ½ po (12,7 mm) des portes/couvercles sur le panneau et le SPD.
2. Faire glisser le petit conduit flexible sur les fils sortant du haut du SPD (deux fils noirs, un fil blanc et un vert). Attacher le conduit flexible au connecteur sur le dessus du SPD en le tordant dans le sens horaire jusqu'à ce qu'il soit complètement sur le connecteur.
3. Faire glisser le deuxième connecteur sur les fils sortant du haut du SPD. Attacher le connecteur au conduit flexible déjà monté sur le SPD en le tordant dans le sens horaire jusqu'à ce qu'il soit complètement attaché au conduit flexible.
4. Visser les fils et le connecteur dans la débouchure au bas du panneau de distribution. Fixer le connecteur au panneau à l'aide de l'écrou de blocage fourni.
5. Raccorder le fil de terre du SPD à la cosse de m.à.l.t. du panneau de distribution. Voir la figure 3.
6. Raccorder les fils noirs du SPD, maintenant situés dans le panneau de distribution, au disjoncteur bipolaire. Voir les figures 3 et 4.  
**REMARQUE** : S'assurer que le disjoncteur bipolaire est à la position d'arrêt (OFF) avant d'installer les fils.
7. Raccorder le fil blanc du SPD, maintenant situé dans le panneau de distribution, à la barre-bus du neutre. Voir les figures 3 et 4.

À côté du centre/panneau de distribution :

1. Couper le conduit flexible à une longueur d'environ 6 po (152 mm). La longueur doit permettre à une courte courbure de 90 degrés du conduit d'être montée sur le centre/panneau de distribution.  
**REMARQUE** : Lors du montage du SPD, s'assurer que la distance entre le panneau de distribution et le SPD permette le surplomb de ½ po (12,7 mm) des portes/couvercles sur le panneau et le SPD.
2. Faire glisser le conduit flexible sur les fils sortant du haut du SPD (deux fils noirs, un fil blanc et un vert). Attacher le conduit flexible au connecteur sur le dessus du SPD en le tordant dans le sens horaire jusqu'à ce qu'il soit complètement sur le connecteur.
3. Faire glisser le deuxième connecteur sur les fils sortant du haut du SPD. Attacher le connecteur au conduit flexible déjà monté sur le SPD en le tordant dans le sens horaire jusqu'à ce qu'il soit complètement attaché au conduit flexible.
4. Plier le conduit à 90 degrés et visser les fils et le connecteur dans une débouchure sur le côté du panneau de distribution. Fixer le connecteur au panneau à l'aide de l'écrou de blocage fourni.
5. Raccorder le fil de terre du SPD à la cosse de m.à.l.t. du panneau de distribution. Voir la figure 3.
6. Raccorder les fils noirs du SPD, maintenant situés dans le panneau de distribution, au disjoncteur bipolaire. Voir les figures 3 et 4.  
**REMARQUE** : S'assurer que le disjoncteur bipolaire est à la position d'arrêt (OFF) avant d'installer les fils.



7. Raccorder le fil blanc du SPD, maintenant situé dans le panneau de distribution, à la barre-bus du neutre. Voir les figures 3 et 4.

Figure 3 : Agencement

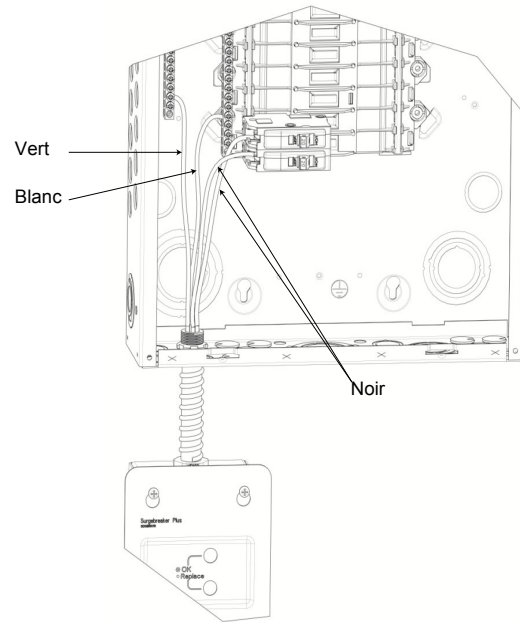
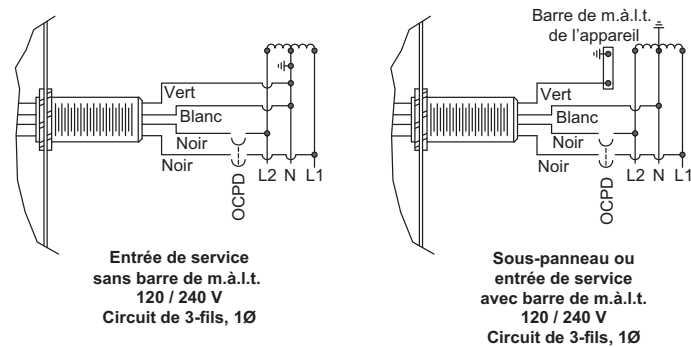


Figure 4 : Schémas typiques de raccordement du module ca d'un SPD



### Raccordement du câble basse tension- Téléphone

1. Localiser le câble d'arrivée du téléphone et l'amener dans le SPD par l'une des débouchures du panneau. Voir la figure 5.
2. Placer un connecteur RJ11 ou RJ45 sur l'extrémité du câble du téléphone suivant la norme EIA/TIA 568A.
3. Placer le câble dans l'emplacement d'entrée (In) du module de téléphone.
4. Placer un connecteur RJ11 ou RJ45 sur l'extrémité du câble du téléphone allant au câblage de la maison et passant par l'emplacement de sortie (Out) du module de téléphone.
5. Vérifier la tonalité de tout téléphone.

### Raccordement du câble basse tension- Réseau

1. Localiser le câble d'arrivée du réseau venant du modem et l'amener dans le SPD par l'une des débouchures du panneau. Voir la figure 5.
2. Placer un connecteur RJ45 sur l'extrémité du câble Ethernet venant du modem suivant la norme EIA/TIA 568A.
3. Placer le câble dans l'emplacement d'entrée (In) du module de réseau.
4. Placer un connecteur RJ45 sur l'extrémité du câble Ethernet menant au routeur ou à l'interrupteur et passant par l'emplacement de sortie (Out) du module de réseau.
5. Vérifier la connectivité à n'importe quel emplacement relié au routeur ou à l'interrupteur.

### Raccordement du câble basse tension- Télévision par câble (CATV)

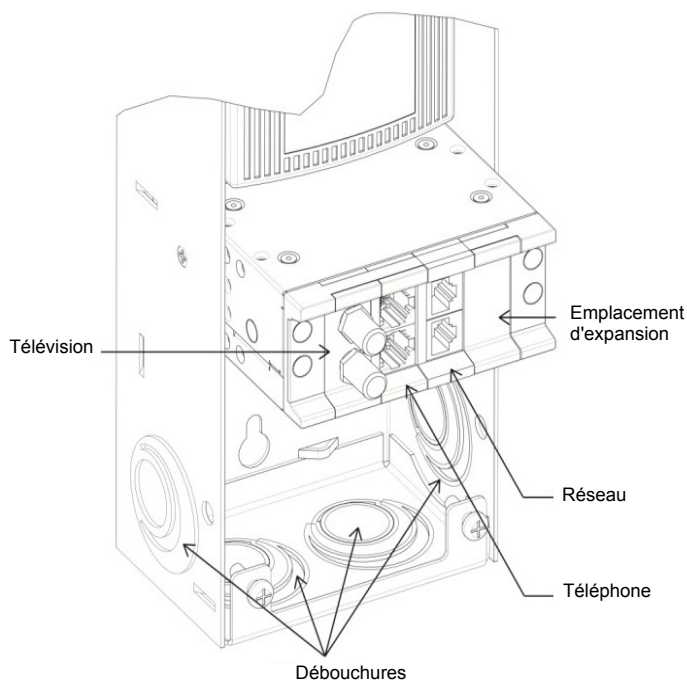
1. Localiser le câble d'arrivée coaxial ou l'antenne aérienne et l'amener au SPD par l'une des débouchures du panneau. Voir la figure 5.
2. Placer un connecteur coaxial sur l'extrémité du câble ou de l'antenne aérienne.
3. Placer le câble dans un emplacement d'entrée (In) du module de câble.
4. Placer un connecteur coaxial sur l'extrémité du câble menant au câblage de la maison et passant par l'emplacement de sortie (Out) du module de câble.
5. Vérifier le service de télévision sur un récepteur relié au système.

**Tableau 1 : Codes des couleurs typiques des fils du téléphone<sup>1</sup>**

Paire de fils	Pointe « Tip » (terre)	Anneau « Ring » (fil –)
01	Vert (plein)	Rouge (plein)
	Blanc ou blanc avec un trait bleu	Bleu ou bleu avec un trait blanc
02	Noir (plein)	Jaune
	Blanc ou blanc avec un trait orange	Orange ou orange avec un trait blanc
03	Blanc ou blanc avec un trait vert	Vert ou vert avec un trait blanc
04	Blanc ou blanc avec un trait marron	Marron ou marron avec un trait blanc

<sup>1</sup> Le fil – (ring) de la plupart des combinaisons de fils d'entrée est principalement bleu alors que le fil + (tip) est principalement blanc. Un trait en couleur peut être présent. Les fils à paires multiples sont codés par couleur selon les normes de l'industrie téléphonique.

Figure 5 : Installation du câble basse tension



## Fonctionnement et essai

Rétablir l'alimentation vers le panneau de distribution et mettre sous tension le disjoncteur bipolaire alimentant le SPD. Si les sections électriques et de mise à la terre sont branchées correctement, les voyants verts du module ca du SPD seront allumés. Si aucun voyant n'est allumé, couper l'alimentation et revoir tous les points dans la section « Montage » à la page 7.

## Module de suppression des surtensions transitoires pour ca

Il faut vérifier périodiquement si les voyants verts sur le dispositif de protection contre les surtensions transitoires pour l'alimentation ca sont allumés. Si un ou les deux voyants verts s'éteignent, cela indique que la suppression ou l'alimentation ca ne fonctionne pas.

## Remplacement des modules

Le SPD pour toute la maison est conçu pour vous donner de nombreuses années de service fiable. Si une surtension survient et que celle-ci dépasse les valeurs nominales de suppression du dispositif, il n'y a pas besoin de remplacer le dispositif entier. Les modules de protection contre les surtensions transitoires du ~ (ca), du téléphone, de la télévision et du réseau peuvent être remplacés individuellement. Contacter votre distributeur de Square D ou représentant.

Tableau 2 : Numéros de catalogue pour modules de rechange

Description	N° de catalogue
Module de suppression des surtensions transitoires pour ca	HEPD80
Module de suppression des surtensions transitoires pour le téléphone	PTEL2R
Module de suppression des surtensions transitoires pour vidéo	PVR
Module de suppression des surtensions transitoires pour le réseau	PNETR6

Seul un personnel qualifié doit effectuer l'installation, l'utilisation, l'entretien et la maintenance du matériel électrique. Schneider Electric n'assume aucune responsabilité des conséquences éventuelles découlant de l'utilisation de cette documentation.

Square D<sup>MC</sup> et Schneider Electric<sup>MC</sup> sont des marques commerciales ou marques déposées de Schneider Electric. Toutes autres marques commerciales utilisées dans ce document sont la propriété de leurs propriétaires respectifs.