

Model	IP/IK	Battery	h	W	230 V	lm	VA	W	VA	W	Kg
OVA38369	42/07	3,6V 1600mAh Ni-Cd	3	4 X 0.3	105	55	3,6	0,9	4,8	2,1	0,52
OVA38371	42/07	3,6V 1600mAh Ni-Cd	1	4 X 0.3	170	85	4	0,9	7	2,9	0,52



(\*) ATSS  
Luminaires are not suitable for General Lighting in accordance to Directive 2009/125/EC

**DISPOSAL**  
The crossed out wheeled bin symbol on the product indicates that at the end of its life the product shall be returned to authorized waste collection centers or to whom has the right to manage it. The proper separate collection and recycling of waste equipment at the time of disposal will help to protect natural resources and ensure that it is recycled in a manner that reduces possible negative effects on human health and the environment. For more information regarding waste collection centers, modalities and terms of law in force, please contact your local waste disposal authority.

Schneider Electric Industries SAS  
35 Rue Joseph Monier  
92500 Rosny-Malmaison (France)  
Tel: +33 (0)1 41 26 70 00  
Fax: +33 (0)1 41 29 71 00  
<http://www.schneider-electric.com>

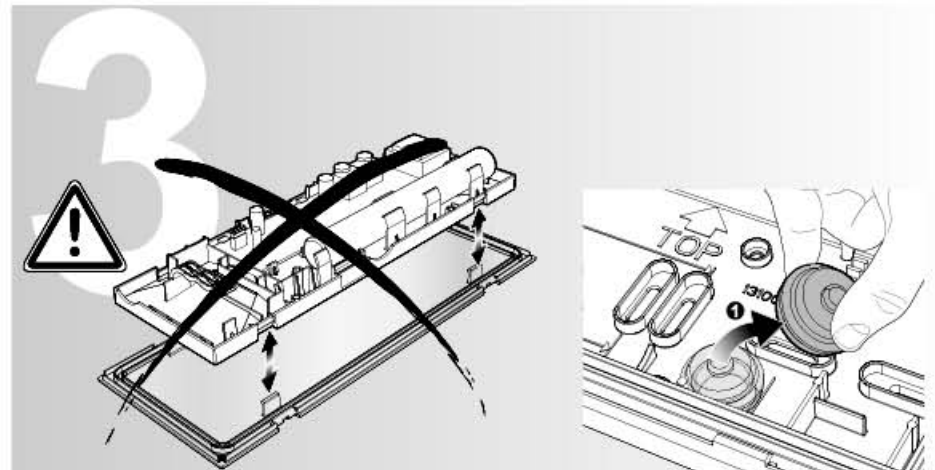
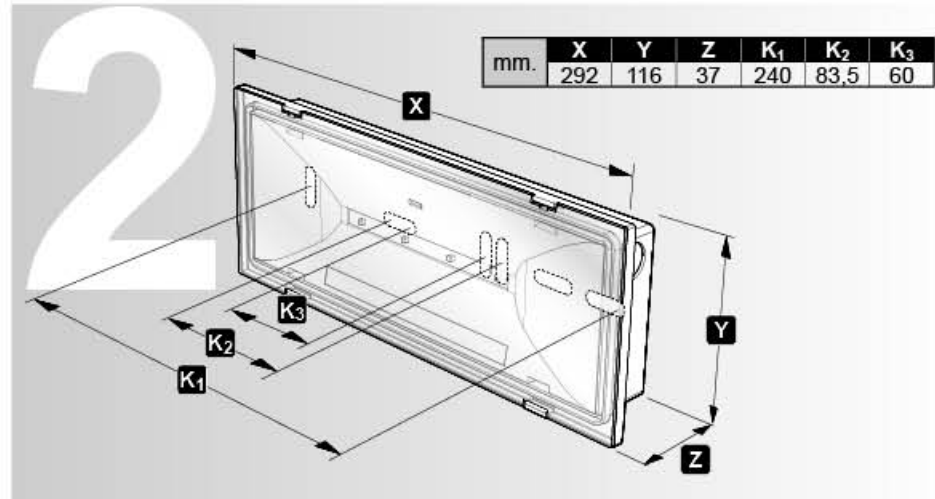
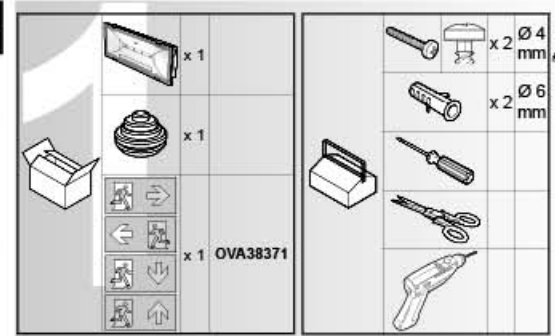
This product must be installed, connected up and used in accordance with current legislation and/or installation standards. The information regarding standards, specifications and design developments contained in this publication may not be up to date. Always contact us to obtain the latest information.

EXIWAY EASYLED ACT  
IP42



OVA38369  
OVA38371

Schneider  
Electric



IST 00-021-EG 00-04/2017

