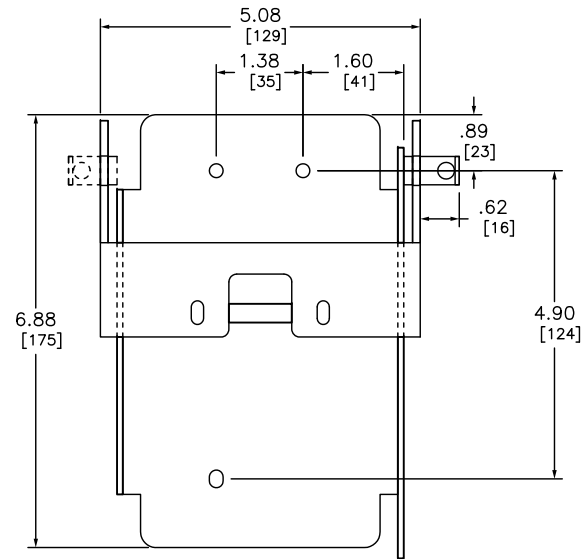
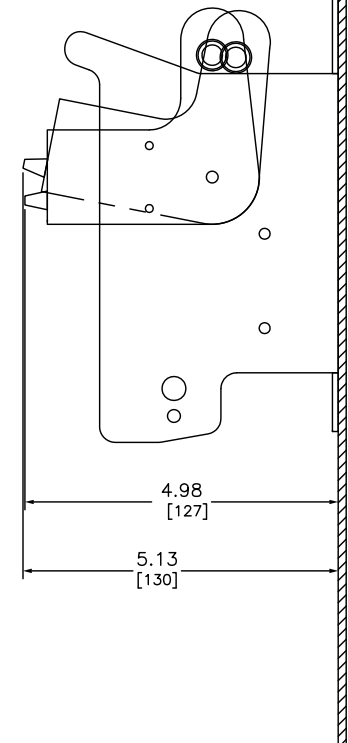


MINIMUM TO WALL OR BARRIER TO INSURE ADEQUATE
WIRE BENDING SPACE TO LUG SURFACE WHEN
THE MAXIMUM WIRE SIZE IS USED
WITH STANDARD LUGS. REF NEC 430-10



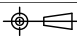
DISTANCE FROM OUTSIDE OF
FLANGE TO CIRCUIT BREAKER
MOUNTING SURFACE
6.51/[165] MIN 17.88/[454] MAX



CATALOG NUMBER: 9422-RQ1
RATINGS: FOR USE WITH POWER PACT H & J AND MG-NSF CIRCUIT BREAKERS
UL FILE/GUIDE: E62922/DIHS2
CSA FILE/GUIDE: -
MEETS STANDARDS: -
WEIGHT: 4.46 LBS
WIRE SIZE: -
TERMINAL TORQUE: -
MOUNTING HWD: (2)-#8-32 x 2.75

"THE SQUARE D COMPANY HAS PROPRIETARY RIGHTS TO THE INFORMATION CONTAINED
HEREON. THIS INFORMATION REMAINS THE PROPERTY OF SQUARE D COMPANY AND MAY
BE USED ONLY IN CONFORMANCE WITH INSTRUCTIONS ISSUED BY SQUARE D COMPANY.
USER SHOULD VERIFY DRAWINGS ARE TO THE LATEST/CURRENT REVISION PRIOR
TO INCORPORATING IN A DESIGN FILE."

DO NOT SCALE DRAWING
UNLESS OTHERWISE SPECIFIED DIMENSIONS ARE IN INCHES

THIRD ANGLE
PROJECTION

TOLERANCES
UNLESS OTHERWISE SPECIFIED
2 PLACE DECIMALS ± .01

MECHANISM FOR USE WITH
POWERPACT H & J AND
MG-NSF CIRCUIT BREAKERS
CLASS 9422 TYPE RQ1 SERIES C

 **SQUARE D**
Schneider Electric

DWG# 9422 RQ_OUTLINE_001
NO.