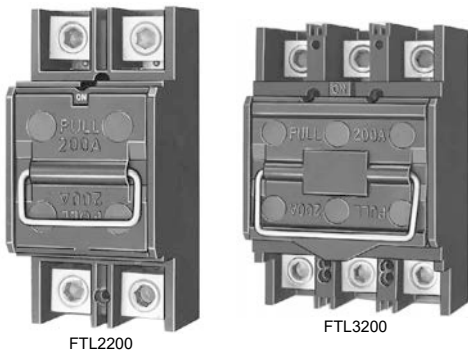


Section 1

Load Centers

Fusible Pullouts and Circuit Breaker Covers	1-2
Class T Fusible Pullouts	1-2
Circuit Breaker Covers	1-2



Class T Fusible Pullouts

- 2- or 3-pole fusible pullouts
- 200 A maximum 300 V Class T fuses (not included)
- 1Ø3W 120/240 V
1Ø2W 240 V
- 3Ø3W 240 V delta
3Ø4W 240/120 V delta
3Ø4W 208Y/120 V
- UL Listed 100 kA short circuit current rating

Table 1.1: Fusible Pullouts

Mains		Cat. No.		Main Wire Size AWG/kcmil	Fuse Pullout Only
System	Rating	Two Pole	Three Pole		
1Ø3W 120/240 V	100 A	FTL2100 [1]	—	4–250 Al/Cu	4050704950 [1]
1Ø2W 240 V	200 A	FTL2200 [1]	—		4050703850 [1]
3Ø3W 240 V delta	100 A	—	FTL3100		4050707050 [1]
3Ø4W 240/120 V delta 3Ø4W 208Y/120 V	200 A	—	FTL3200		4050705950 [1]

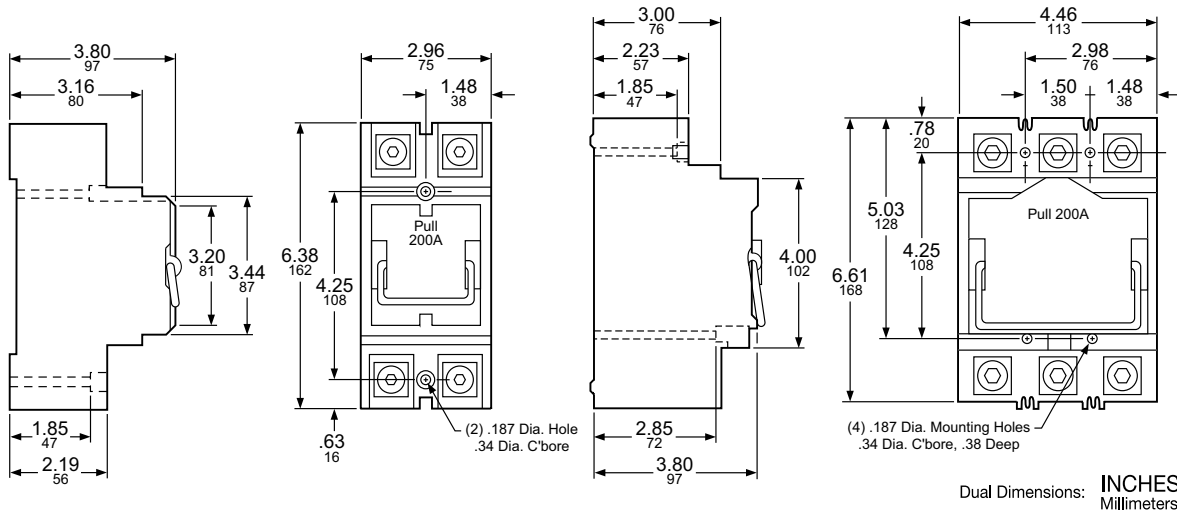


Table 1.2: Covers

Quantity	Cat. No.
1	BCH
1	BCV

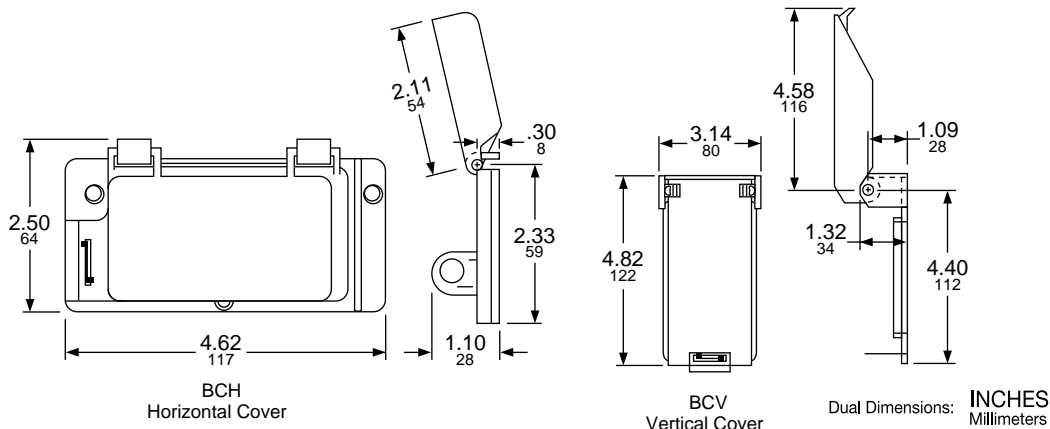
Circuit Breaker Covers

Available now from Square D™ / Schneider Electric™ are two different versions of rainproof circuit breaker covers which are UL component recognized as being suitable for use as circuit breaker handle covers.

They are constructed of durable impact-resistant material and are intended for use by OEMs where a rainproof cover is needed (e.g. on heat pumps and air conditioners with built-in disconnects). Both models have a built-in latch with padlock provisions.

The BCH covers are for use on a horizontally-mounted circuit breaker and fit over Square D two-pole QO™, QOU, Q2, EH and three-pole Q2 and EH circuit breakers.

The BCV covers are for use on vertically-mounted circuit breakers and will fit over Square D two- and three-pole QO, QOU, Q2, EH, FA and KA circuit breakers.



[1] Not stocked in PDS. Order point Lexington.