

Product End-of-Life Instructions

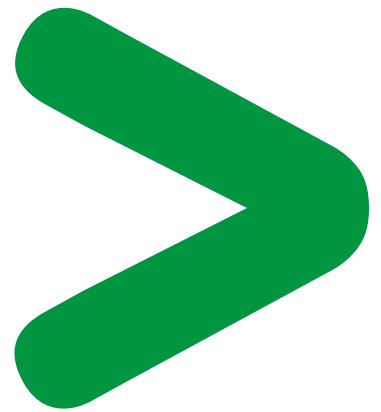
Lexium Integrated Drive ILE with Gearbox

Product Range

Lexium Integrated Drive ILE with Gearbox

Marketing Model

ILE●●●●●●●● (with gearbox)



Size in mm:

H x L x D : 104 x 249 x 66

Weight in kg:

3.092

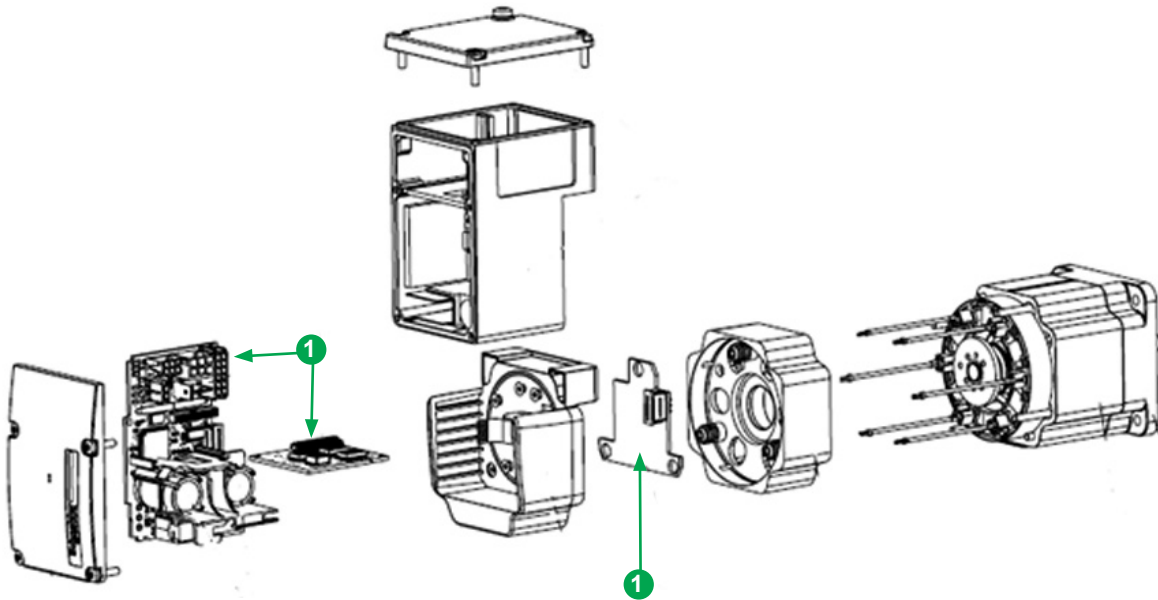


Operations recommended for the end of life treatment

There are several steps to process the products at the end of life so as to recover components, materials or energy :

Reuse ⇒ Separation for special treatment ⇒ Other Dismantling ⇒ Shredding

The components of the products that optimize the recycling performances are listed, identified and located hereunder.



Recommendation	Number on drawing	Components	Weight (g)	Comment
Depollution	1	PCBAs	83.02	-

Schneider Electric Industries SAS

35, rue Joseph Monier
CS30323
F - 92506 Rueil Malmaison Cedex

RCS Nanterre 954 503 439
Capital social 896 313 776 €
www.schneider-electric.com

The version of the Guide used to create the document: End of Life Instruction Drafting Guide of Schneider Electric version V1.

Publication : Schneider Electric