

Product End-of-Life Instructions

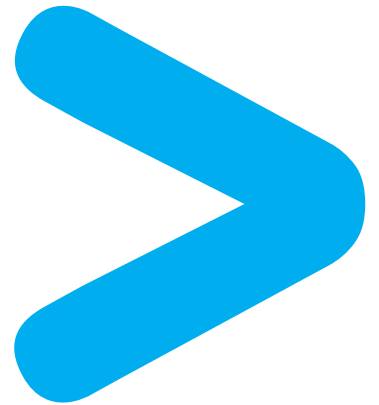
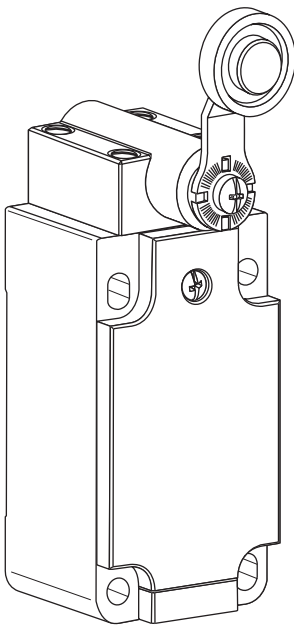
Plastic Limit Switch

Product Range

XCKS Plastic Limit Switches

Marketing Model

XCKS131



Size in mm :

H x L x D : 130 x 40 x 65

Weight in g :

157 for XCKS131



Telemecanique

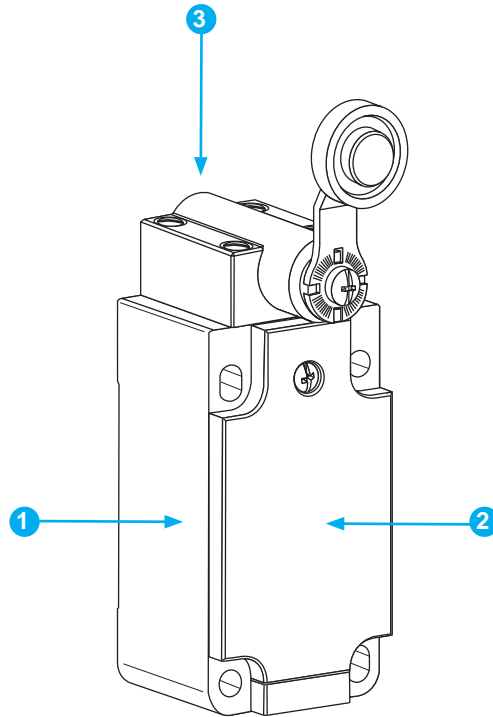
Sensors

Operations recommended for the end of life treatment

There are several steps to process the products at the end of life so as to recover components, materials or energy :

Reuse ⇒ Separation for special treatment ⇒ Other Dismantling ⇒ Shredding

The components of the products that optimize the recycling performances are listed, identified and located hereunder.



Types of Components	Number on drawing	Components description	Total mass per types (g)	Comment
Special treatment	1	Body	64	The respective weights of the body and cover depend on the considered commercial reference
Special treatment	2	Cover	16	
Special treatment	3	Head	17	

For more information please contact us at: global-green-sensors@schneider-electric.com.

Schneider Electric Industries SAS

35, rue Joseph Monier
CS30323
F - 92506 Rueil Malmaison Cedex

RCS Nanterre 954 503 439
Capital social 896 313 776 €
www.schneider-electric.com

The version of the Guide used to create the document: End of Life Instruction Drafting Guide of Schneider Electric version V2.

Publication : Schneider Electric