

# Product End-of-Life Instructions

**Product Range: Compact NS 80H MA**

**Marketing Model/Name: (List of multiple models if applicable)**

**The End of Life Instruction (EOLI) covers the entire range:**

- **Compact NS80H three-pole circuit breakers/switches**
- **Fitted with a magnetic trip unit.**

## **Purpose:**

The product family must be disposed according to the legislation of the country. This document is intended for use by end of life recyclers or treatment facilities. It provides the basic information to assure an appropriate end of life treatment for the components and materials of the product.

## **Note :**

This product family is not in the scope of EU directive 2002/96/EC, Waste Electrical and Electronic Equipment (WEEE).



Size in mm

**H x L x D in mm: 120 x 90 x 80**

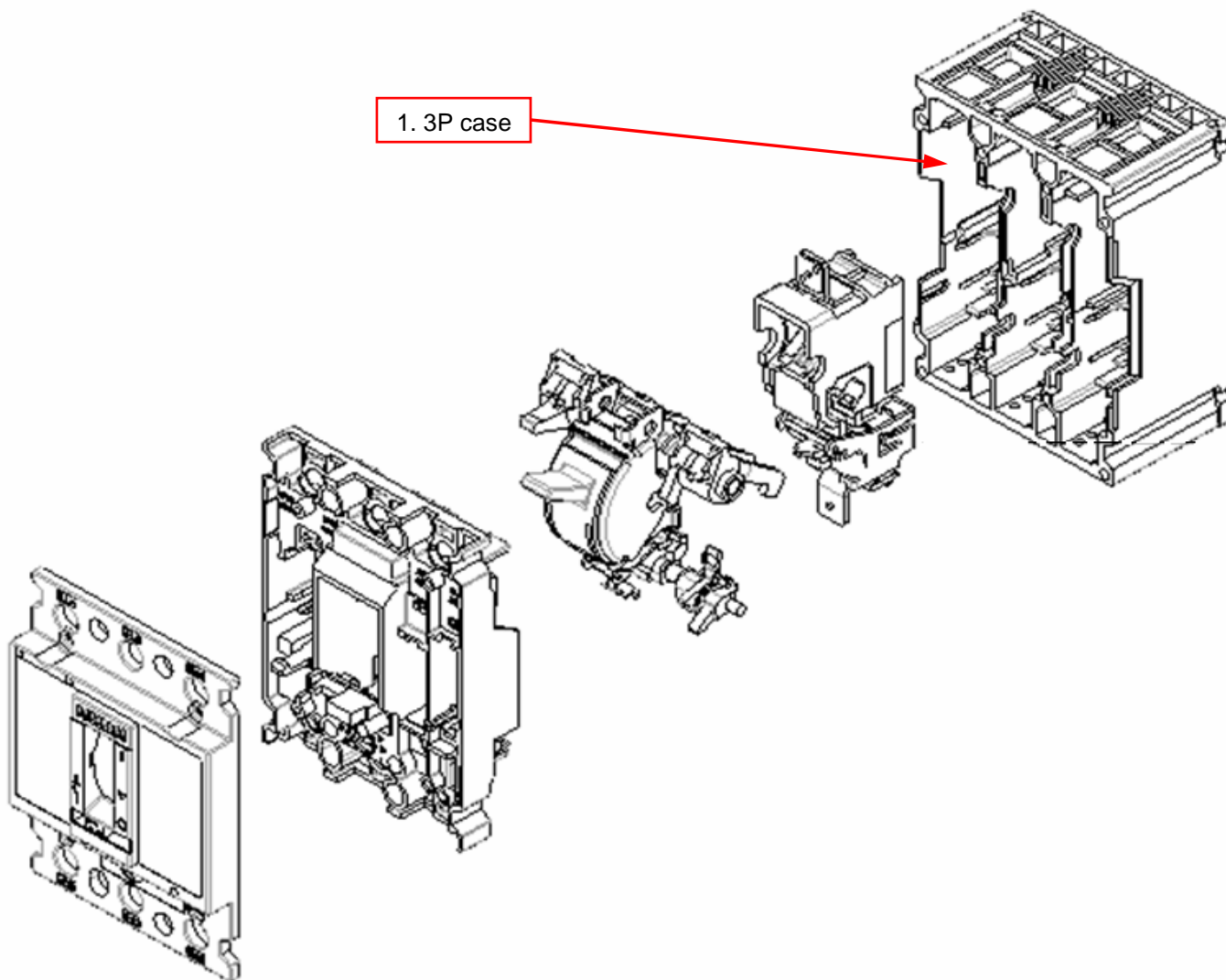
**Weight in kg : 1.0 kg**

## Operations recommended for the end of life treatment

There are several steps to process the products at the end of life so as to recover components, materials or energy :  
 Reuse → Depollution → Dismantling → Shredding.

**The components of the products that optimize the recycling performances are listed, identified and located hereunder.**

**This product contains parts made of bromide materials which are recommended to be treated separately during the End of Life operations.**



Number on drawing	Components	Weight (g)	Comment
Components listed for special treatment			
1	3P case	232.28 g	Contains brominated flame retardant

**Schneider Electric SA**  
 43-45, boulevard Franklin Roosevelt  
 F-92500 Rueil-Malmaison Cedex (France)  
 Tel.: +33 (0) 1 41 29 70 00  
 www.schneider-electric.com

The version of the Guide used to create the document: End of Life  
 Instruction Drafting Guide of Schneider Electric version V2

ENVEOLI100404EN

Publication date : 15/06/2010