

Enjoy more flexibility with powering productivity

Easy series
EasyPact EXE medium-voltage
circuit breakers

se.com/easypact-exe

Life Is On

Schneider
Electric



Enjoy more flexibility with powering productivity

Easy series
EasyPact EXE medium-voltage
circuit breakers

se.com/easypact-exe



Life Is On

Schneider
Electric

Table of contents

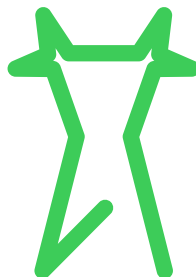


Introducing EasyPact EXE

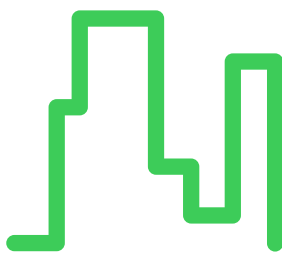


Choose **EasyPact EXE** for many applications

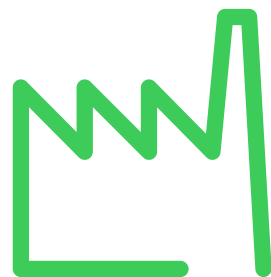
EasyPact EXE is a range of vacuum circuit breakers designed for applications ranging from infrastructure (airports, hospitals), large commercial buildings (high rise buildings, malls and shopping centers, office buildings), through industrial plants (batch processes plants, cement plants, food and beverage plants) to power grids (distribution substations). It is also essential for protecting people and equipment. It is a best-in-class solution for electrical rooms in commercial buildings, industrial plants, and power grid substations.



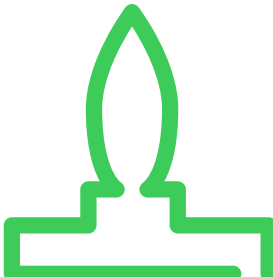
Infrastructure



Commercial buildings



Industrial manufacturing



Power grid



Discover the benefits

Built on Schneider Electric's more than 100 years' experience in electrical industry, EasyPact EXE circuit breakers provide greater simplicity, flexibility and peace of mind for both the panel builder and operator.

Shortened project delivery time

- Simple on-line selection, quotation and ordering
- Designed for fast and simple customization
- Optimized productivity time with the support from Schneider's expert team

Customization flexibility

- Modular kits for a wide choice of customizations including thermal monitoring
- Ecostruxure ready digital solutions and services

Peace of mind

- Remote racking option
- Simple and affordable fire prevention
- Service enabler for partners
- Simplified and secured integration process with the support from Schneider's expert team



Connected and flexible for easy life



Discover the benefits of EcoStruxure

EcoStruxure Power is part of Schneider Electric’s open, interoperable IoT-enabled system architecture and platform.

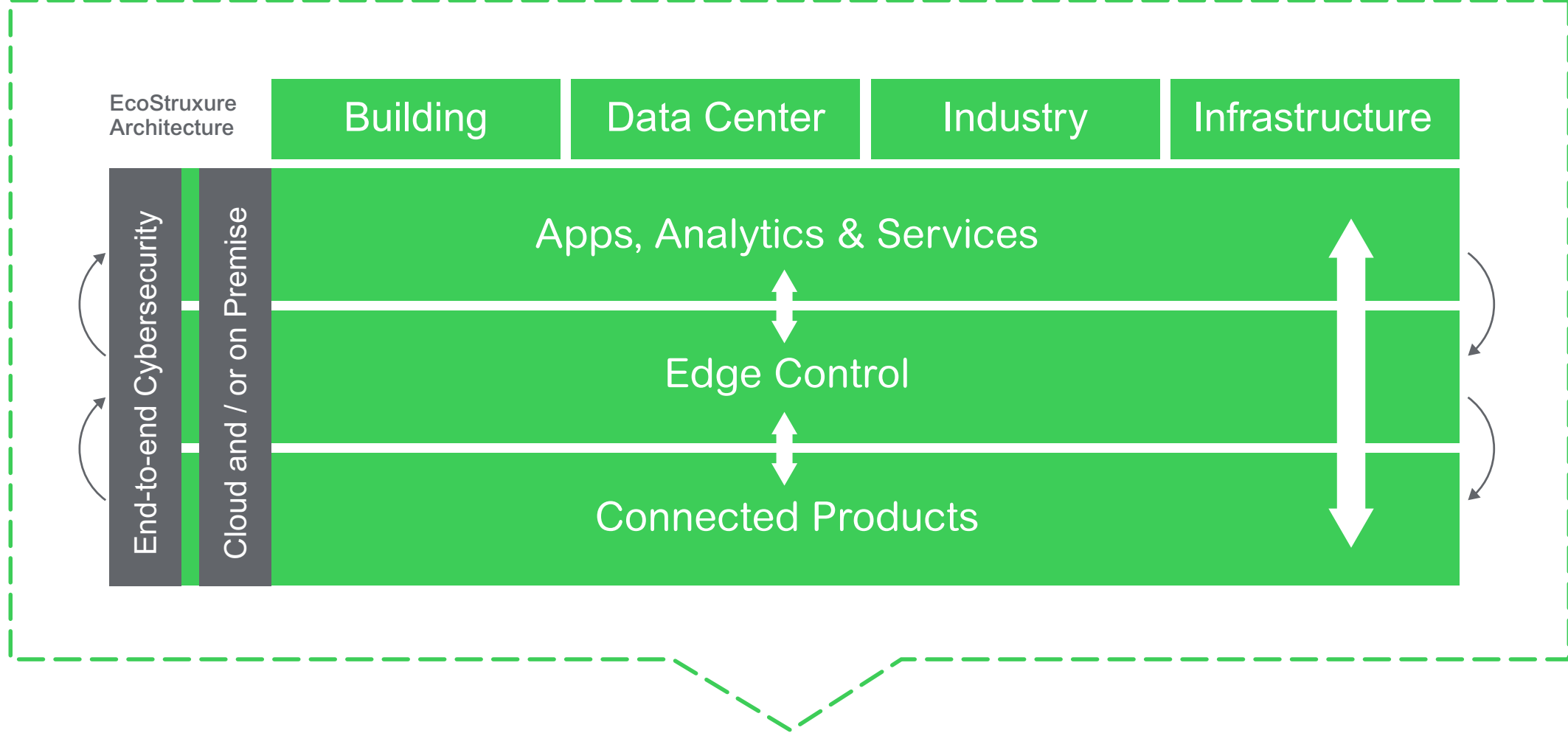
It delivers enhanced value around safety, reliability, efficiency, sustainability, and connectivity for our customers.

EcoStruxure Power leverages advancements in IoT, mobility, sensing, cloud, analytics, and cybersecurity to deliver innovation at every level with solutions across three critical layers:

- Apps, Analytics & Services
- Edge Control
- Connected Products

This unified approach provides more value than a traditional network of isolated devices and is covered by end-to-end cybersecurity.

[Learn more](#)



EcoStruxure Building EcoStruxure Power EcoStruxure IT EcoStruxure Machine EcoStruxure Plant EcoStruxure Grid

Scalability with fit-for-purpose solutions

Smart thermal sensors (TH110) integrated seamlessly in the equipment gather data about the condition of critical components. This condition monitoring data can be easily shared to improve all aspects of the product life. Start with periodic maintenance apps today, or plan ahead for predictive maintenance, connectivity is scalable to fit the needs of your applications and future plans.

Easergy TH110

A battery-less sensor, helping ensure continuous thermal monitoring of all the critical connections made on field allowing to help:

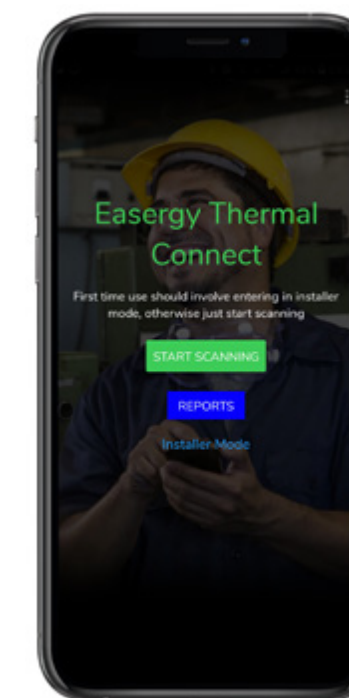
- Prevent unscheduled downtimes
- Increase operators and equipments safety
- Optimize predictive maintenance

Easergy Thermal Connect

Access thermal monitoring right from the palm of your hand.



TH110 Thermal Sensor



Easergy Thermal Connect



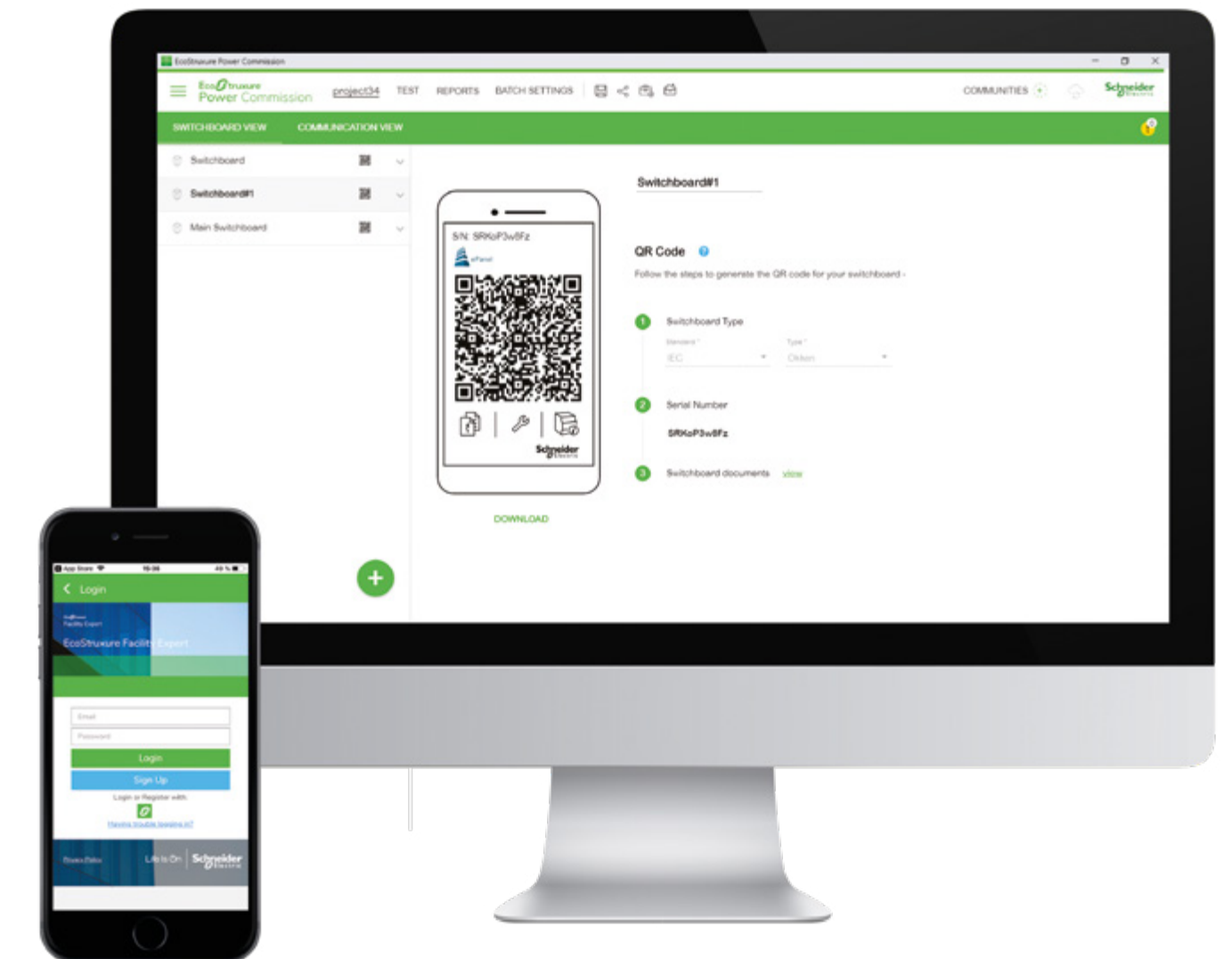
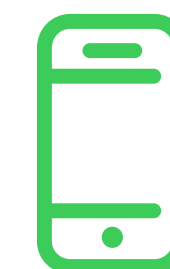
Easily collaborate, share and find documents

The product's QR code also unlocks a library of apps and services including your Digital Logbook, a paperless, easy-to-use tool for storing and sharing essential project information from design until end of life.

- Enjoy convenient digital access to user manuals, single-line drawings, photos, factory and site acceptance tests, spare parts lists, and more
- Share information with your professional partners
- Get things organized and achieve a common goal
- Create clear and consistent documentation
- Identify key responsibilities and points of contact at different project stages
- Eliminate conflicting or missing information



Product QR code 'FLASH ME'



Enhanced for modern MV distribution

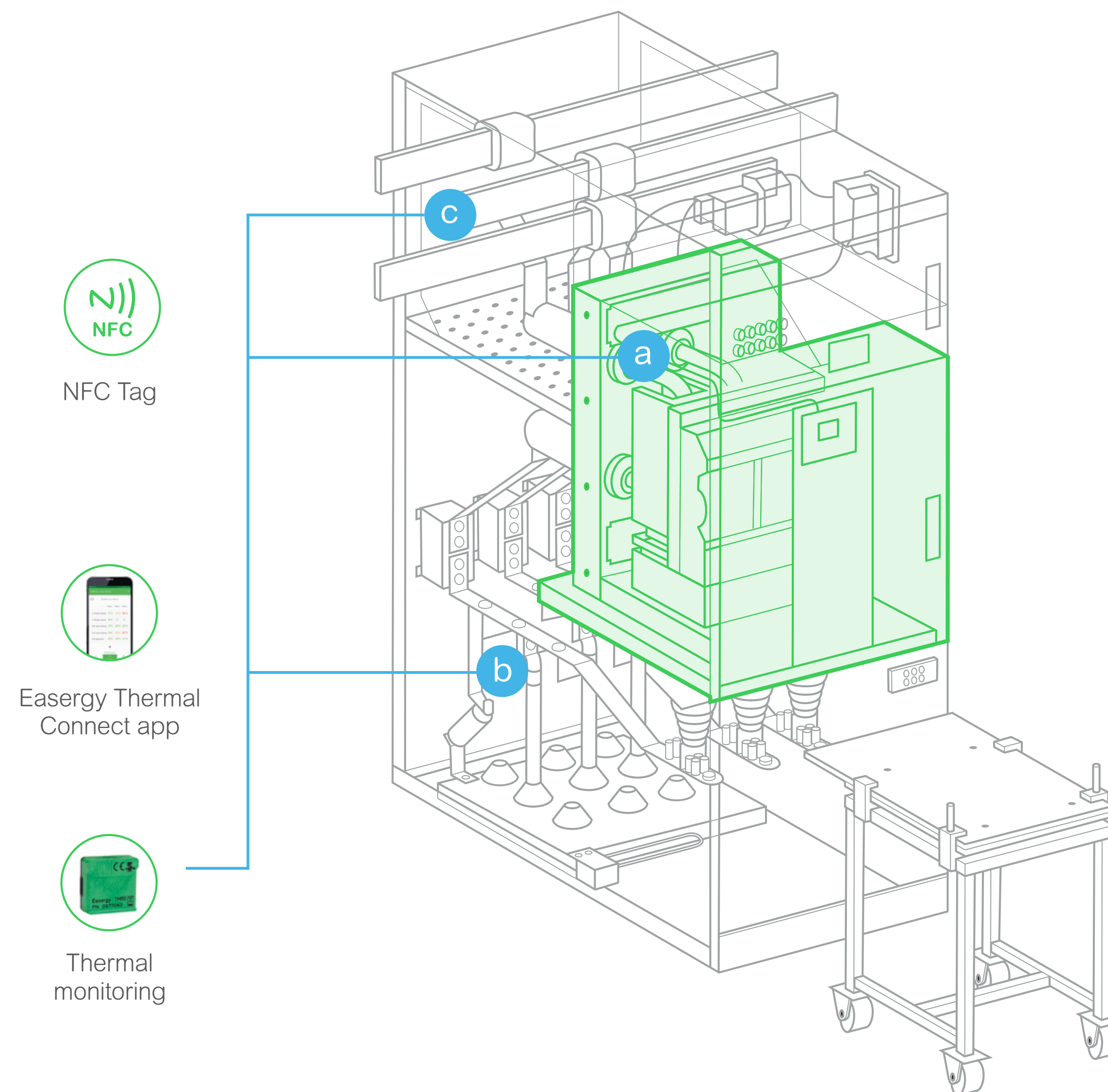
The connected switchgear is the perfect choice for intelligent distribution, helping to secure both new and existing operations. Thanks to its innovative tools and IoT capabilities, your switchgear can start to become future-ready.

TH110, helping ensure continuous thermal monitoring to detect potential loose connections of:

- a** Circuit breaker arms
- b** Cable connections
- c** Busbar connections

Local, on demand connectivity enables:

- Nearby thermal monitoring on your smartphone up to 10 m from your switchgear
- Fast connection to the thermal data via QR code (internet connection required) or NFC Tag

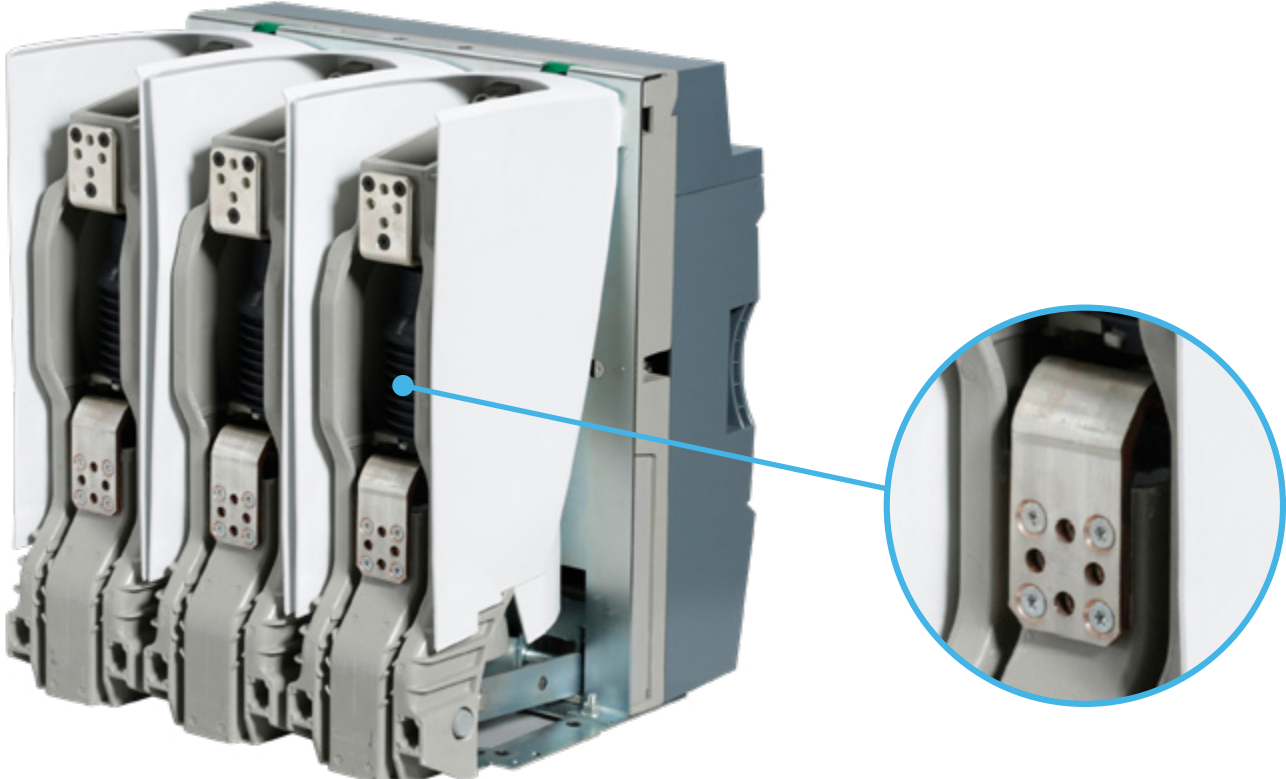


Technical specification

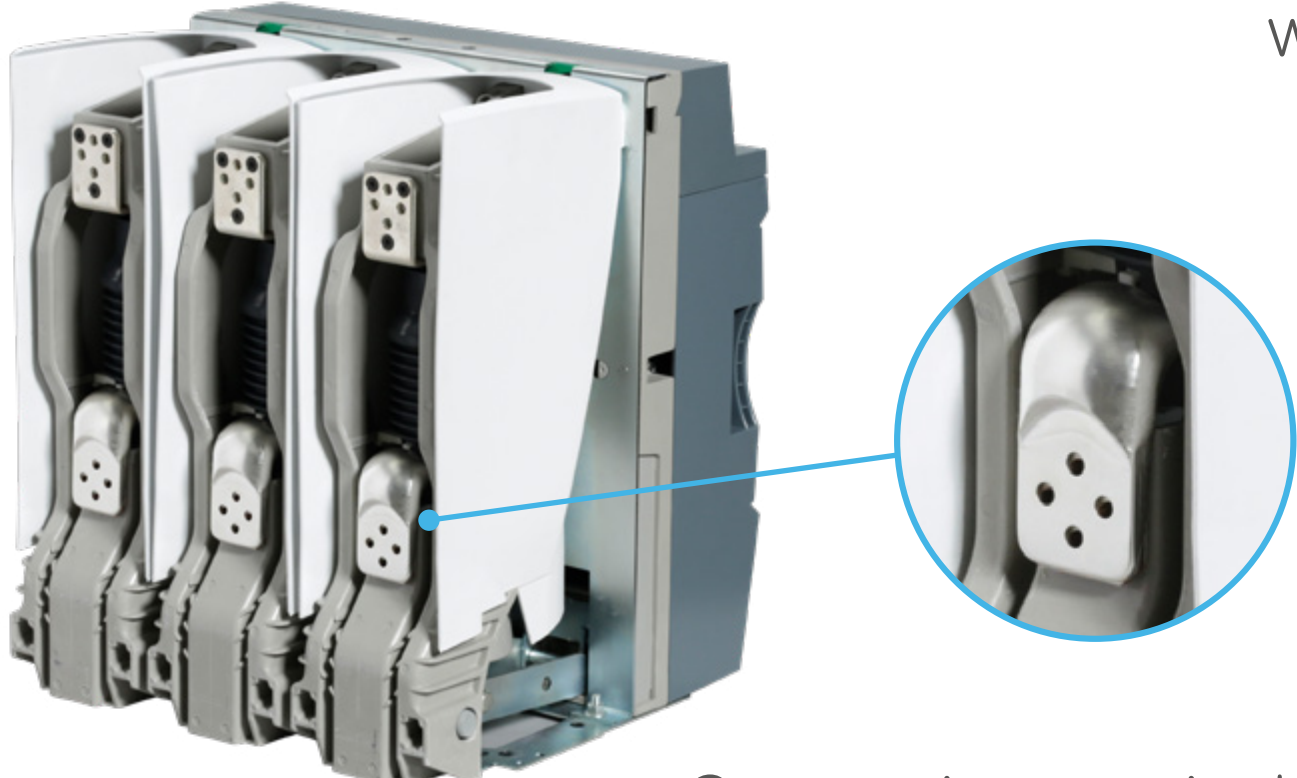


EasyPact EXE fixed circuit breaker (CB)

The EasyPact EXE fixed version is equipped with drilled and threaded copper connection terminals at the top and bottom. The shape and dimensions of conductors must be determined by the panel builder according to the dielectric withstand and temperature rise characteristics of the whole connection system. Field deflectors may be required to achieve 95 kV lightning impulse withstand voltage depending on the switchgear architecture.



Connection terminal without field deflector



Connection terminal with field deflector



EasyPact EXE

fixed circuit breaker (CB)

Main electrical characteristics according to IEC 62271-100:2012

Designation		Electrical characteristics									
Phase distance (mm)				145	150	185	185	210	210	240	275
Rated voltage	Ur	kV	12	■	■	■	■	■	■	■	■
			17.5	■	■	■	■	■	■	■	■
Rated frequency	fr	Hz	50/60	■	■	■	■	■	■	■	■
Rated power frequency withstand voltage ⁽¹⁾	Ud	kV	28	■	■	■	■	■	■	■	■
			38	■	■	■	■	■	■	■	■
Rated lightning impulse withstand voltage	Up	kV	75	■	■	■	■	■	■	■	■
			95	■	■	■	■	■	■	■	■
Rated short-circuit breaking current	Isc	kA	20	■	■	■		■			
			25	■	■	■	■	■	■		
			31.5	■	■	■	■	■	■	■	■
Rated duration of short circuit	tk	s	3	■	■	■	■	■	■	■	
Rated normal current	Ir	A	630	■	■	■		■			
			800	■	■	■		■			
			1,250	■	■	■		■			
			1,600				■		■		
			2,000				■		■		
			2,500					■	■	■	

Additional characteristics according to IEC 62271-100 are listed in the common characteristics section.

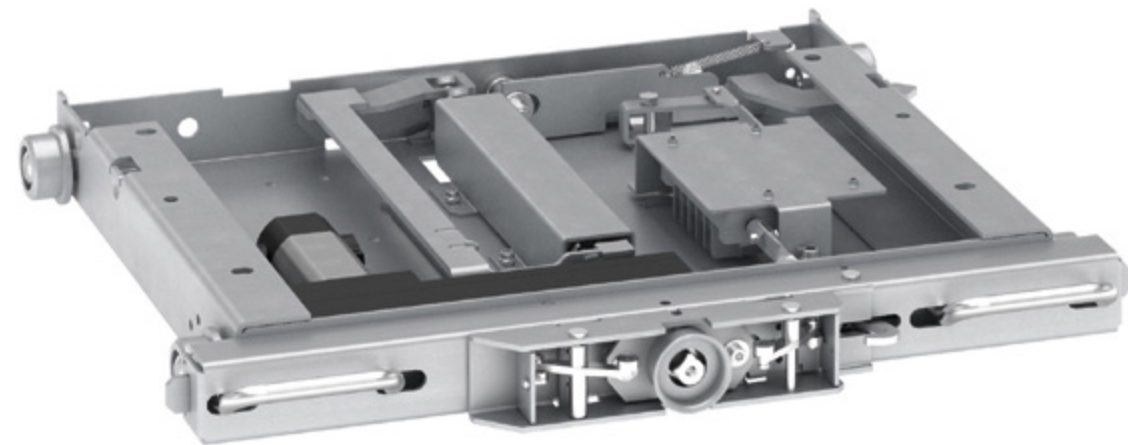
(1) Contact us for 42 kV - 5 min.



Find more information of dimension, see the catalogue page 29 [here](#)



EasyPact EXE withdrawable circuit breaker (CB)



Racking trolley

EasyPact EXE racking device enables Panel Builder to design switchgear solutions with enhanced safety features. It has a robust interlocking system with the switchgear door, the circuit-breaker and the earthing switch. It can be equipped with a motor for remote racking from the control room.



Arms

The shape and size of EasyPact EXE arm depend on the rated lightning impulse withstand voltage, the rated normal current, and the racking trolley stroke.



Tulip-type contacts

The shape of EasyPact EXE contact is tulip-type. The size depends on the rated current to provide a maximum contact surface optimizing heat dissipation and offering good compensation characteristics for electrodynamic forces. The Panel Builder should provide fixed type contacts with the correct shape, tolerance, and material characteristics compatible with the EasyPact EXE tulip-type contacts.



EasyPact EXE withdrawable circuit breaker (CB)

Main electrical characteristics according to IEC 62271-100:2012

Designation		Electrical characteristics					
Phase distance (mm)				150	210	210	275
Rated voltage	Ur	kV	12	■	■	■	■
			17.5	■	■	■	■
Rated frequency	fr	Hz	50/60	■	■	■	■
Rated power frequency withstand voltage ⁽¹⁾	Ud	kV	28	■	■	■	■
			38	■	■	■	■
Rated lightning impulse withstand voltage	Up	kV	75	■	■	■	■
			95	■	■	■	■
Rated short-circuit breaking current	Isc	kA	20	■	■		
			25	■	■	■	■
			31.5	■	■	■	■
Rated duration of short circuit	tk	s	3	■	■	■	■
Rated normal current	Ir	A	630	■	■		
			800	■	■		
			1,250	■	■		
			1,600			■	
			2,000			■	
			2,500				■

Additional characteristics according to IEC 62271-100 are listed in the common characteristics section.

(1) Contact us for 42 kV - 5 min.



Find more information of dimension, see the catalogue page 31 [here](#)



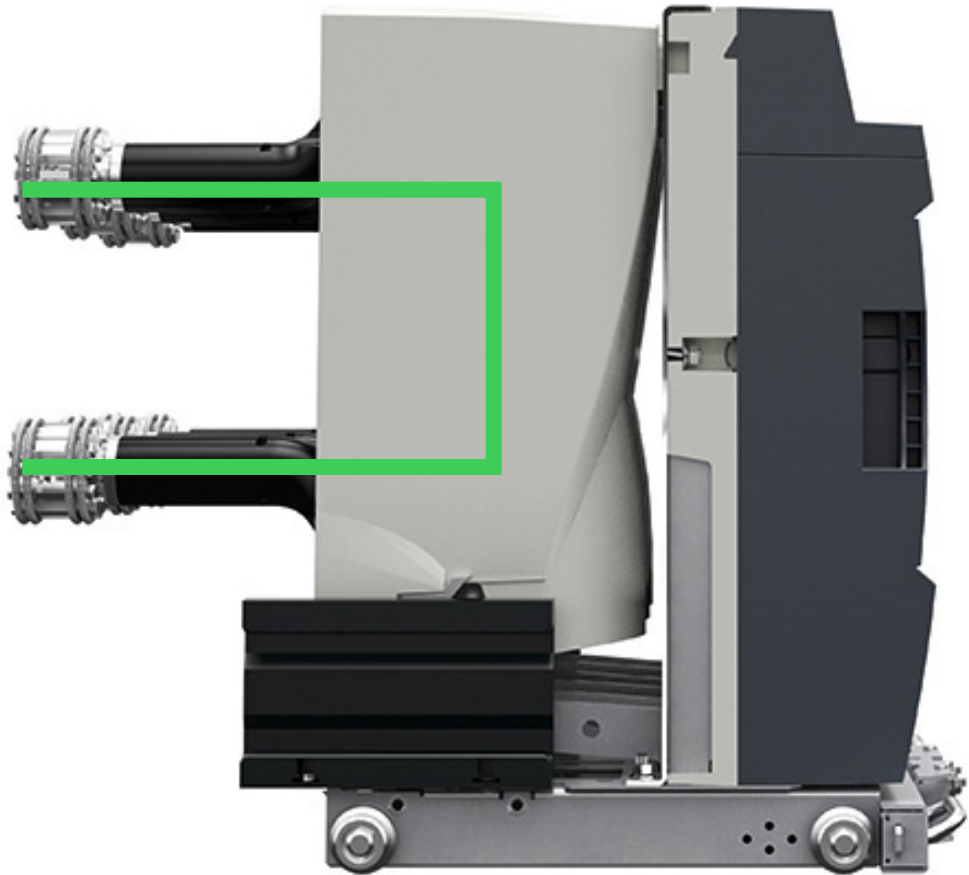
Disconnecting device (DD)

Designation		Electrical characteristics					
Phase distance (mm)				150	210	210	275
Rated voltage	Ur	kV	12	■	■	■	■
			17.5	■	■	■	■
Rated power frequency withstand voltage ⁽¹⁾	Ud	kV	28	■	■	■	■
			38	■	■	■	■
Rated lightning impulse withstand voltage	Up	kV	75	■	■	■	■
			95	■	■	■	■
Rated short-time withstand current	Ik	kA	31.5	■	■		
Rated peak withstand current	Ip	kA	82	■	■	■	■
Rated duration of short circuit	tk	s	3	■	■	■	■
Rated normal current	Ir	A	1,250	■	■		
			2,000			■	
			2,500				■

(1) Contact us for 42 kV - 5 min.

Find more information of dimension, see the catalogue page 33 [here](#)

This device allows disconnection of the upstream and downstream circuits in the switchgear. It is installed in the same location as the withdrawable circuit breaker in the switchgear compartment, with the option to rack the device remotely. It includes a device to lock it in the service position.



Disconnecting device



Common electrical characteristics and normal operating conditions

Common characteristics according to IEC 62271-100:2012		12 kV	17.5 kV
Rated short-time withstand current (Ik/tk)	kA/3s (50/60 Hz)	= I _{sc}	= I _{sc}
Rated frequency	O-3 min - CO-3 min - CO	■	■
	O-0.3 s - CO-3 min - CO	■	■
	O-0.3 s - CO-15 s - CO	■	■
Operating times	Opening	< 50 ms	< 50 ms
	Breaking	< 66 ms	< 66 ms
	Closing	< 71 ms	< 71 ms
Electrical endurance	Class	E2	E2
Rated line-charging breaking current	A-class	10-C2	10-C2
Rated cable-charging breaking current	A-class	25-C2	31.5-C1
Rated single capacitor bank breaking current	A-class at 1 250 A 25 kA	400-C2	400-C1 ⁽¹⁾
	A-class at 1 250 A 31.5 kA	400-C1	400-C1 ⁽¹⁾

EasyPact EXE has been designed to operate in the following conditions: IEC62271-1:2017	
Ambient air temperature	<ul style="list-style-type: none"> • Minimum value: -25°C • Maximum value: 40°C • Average measured over 24 hours period ≤35°C
Altitude	Less than or equal to 1,000 m above sea level
Atmosphere	No dust, smoke, salt, corrosive or flammable gas or vapor
Humidity	<ul style="list-style-type: none"> • Average relative humidity over 24 hours ≤ 95% • Average relative humidity over 1 month ≤ 90% • Average vapor pressure over 24 hours ≤ 2.2 kPa • Average vapor pressure over 1 month ≤ 1.8 kPa

Circuit Breaker	MCH motor	MX / XF MN release	Racking trolley(Disconnecting function)
M2(IEC 62271-100: 2012) (10,000 operating cycles)	10,000 charging operating	10,000 operations	M1(IEC 62271-102: 2018) (2,000 operating cycles)

1) Contact our Schneider Electric sales representative for more information.



EasyPact EXE

A simple, straightforward way to enable panel builders to take control and save time while fulfilling customer needs.

On-line Product Selector: simple, quick, reliable 

More detailed information is available in the [EasyPact EXE catalog >>](#)

Schneider's expert team helps to optimize the productivity time



Life Is On



To find out more about **EasyPact** EXE, visit:

se.com/easypact-exe



Schneider Electric

35 rue Joseph Monier
92500 Rueil-Malmaison, France
Tel : +33 (0)1 41 29 70 00